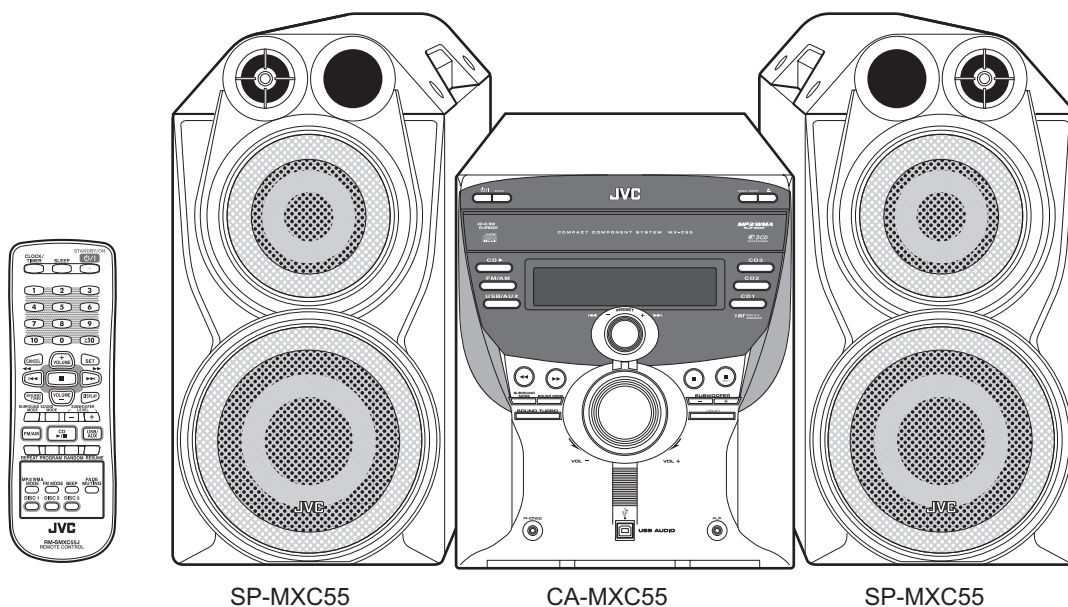


JVC

SERVICE MANUAL

COMPACT COMPONENT SYSTEM

MX-C55J, MX-C55C



COMPACT
disc
DIGITAL AUDIO

MP3
PLAYBACK

Lead free solder used in the board (material : Sn-Ag-Cu, melting point : 219 Centigrade)

TABLE OF CONTENTS

1	PRECAUTION.....	1-3
2	SPECIFIC SERVICE INSTRUCTIONS.....	1-5
3	DISASSEMBLY.....	1-6
4	ADJUSTMENT.....	1-10
5	TROUBLESHOOTING.....	1-11

SPECIFICATION

Amplifier section CA-MXC55	Output Power	SUBWOOFERS	170 W per channel, min. RMS, driven into 3 Ω at 63 Hz with no more than 10% total harmonic distortion
		MAIN SPEAKERS	80 W per channel, min. RMS, driven into 6 Ω at 1 kHz with no more than 10% total harmonic distortion
	Audio input sensitivity/Impedance (at 1 kHz, measured at MAIN SPEAKERS)	AUX	400 mV/47 kΩ
		USB	USB Version 1.1
	Speakers/Impedance	Subwoofers	3 Ω - 6 Ω
Main speakers		6 Ω - 16 Ω	
Tuner	FM tuning range	87.50 MHz - 108.00 MHz	
	AM tuning range	530 kHz - 1 710 kHz	
CD player	CD Capacity	3 CDs	
	Dynamic range	85 dB	
	Signal-to-noise ratio	85 dB	
General	Power requirement	AC 120 V , 60 Hz	
	Power consumption	80 W /136 VA (at operation) 7.3 W (on standby) 1 W (in ECO mode)	
	Dimensions (approx.)	270 mm × 317 mm × 402 mm (W/H/D) (10 11/16 in. × 12 1/2 in. × 15 7/8 in.)	
	Mass (approx.)	5.9 kg (13 lbs)	
Speaker section SP-MXC55	Type	3-way bass-reflex type	
	Speaker units	Subwoofer	16 cm (6 5/16 in.) cone ×1
		Main Woofer	10 cm (3 15/16 in.) cone ×1
		Tweeter	5 cm (2 in.) cone ×1
	Power handling capacity	Subwoofer	170 W
		Main speaker	80 W
	Impedance	Subwoofer	3 Ω
		Main speaker	6 Ω
	Frequency range	Subwoofer	30 Hz - 1 000 Hz
		Main speaker	100 Hz - 20 000 Hz
	Sound pressure level	Subwoofer	74 dB/W·m
		Main speaker	81 dB/W·m
	Dimensions (approx.)	220 mm × 435 mm × 316 mm (W/H/D) (8 11/16 in. × 17 13/16 in. × 12 1/2 in.)	
	Mass (approx.)	5.7 kg (12.6 lbs) each	

Design and specifications are subject to change without notice.

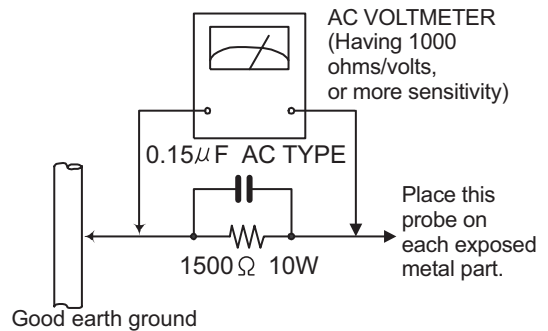
SECTION 1 PRECAUTION

1.1 Safety Precautions

- (1) This design of this product contains special hardware and many circuits and components specially for safety purposes. For continued protection, no changes should be made to the original design unless authorized in writing by the manufacturer. Replacement parts must be identical to those used in the original circuits. Services should be performed by qualified personnel only.
- (2) Alterations of the design or circuitry of the product should not be made. Any design alterations of the product should not be made. Any design alterations or additions will void the manufacturer's warranty and will further relieve the manufacturer of responsibility for personal injury or property damage resulting therefrom.
- (3) Many electrical and mechanical parts in the products have special safety-related characteristics. These characteristics are often not evident from visual inspection nor can the protection afforded by them necessarily be obtained by using replacement components rated for higher voltage, wattage, etc. Replacement parts which have these special safety characteristics are identified in the Parts List of Service Manual. Electrical components having such features are identified by shading on the schematics and by (Δ) on the Parts List in the Service Manual. The use of a substitute replacement which does not have the same safety characteristics as the recommended replacement parts shown in the Parts List of Service Manual may create shock, fire, or other hazards.
- (4) The leads in the products are routed and dressed with ties, clamps, tubings, barriers and the like to be separated from live parts, high temperature parts, moving parts and/or sharp edges for the prevention of electric shock and fire hazard. When service is required, the original lead routing and dress should be observed, and it should be confirmed that they have been returned to normal, after reassembling.
- (5) Leakage shock hazard testing
After reassembling the product, always perform an isolation check on the exposed metal parts of the product (antenna terminals, knobs, metal cabinet, screw heads, headphone jack, control shafts, etc.) to be sure the product is safe to operate without danger of electrical shock. Do not use a line isolation transformer during this check.
 - Plug the AC line cord directly into the AC outlet. Using a "Leakage Current Tester", measure the leakage current from each exposed metal part of the cabinet, particularly any exposed metal part having a return path to the chassis, to a known good earth ground. Any leakage current must not exceed 0.5mA AC (r.m.s.).
 - Alternate check method
Plug the AC line cord directly into the AC outlet. Use an AC voltmeter having, 1,000 Ω per volt or more sensitivity in the following manner. Connect a 1,500 Ω 10W resistor paralleled by a 0.15 μ F AC-type capacitor between an exposed metal part and a known good earth ground. Measure the AC voltage across the resistor with the AC

voltmeter.

Move the resistor connection to each exposed metal part, particularly any exposed metal part having a return path to the chassis, and measure the AC voltage across the resistor. Now, reverse the plug in the AC outlet and repeat each measurement. Voltage measured any must not exceed 0.75 V AC (r.m.s.). This corresponds to 0.5 mA AC (r.m.s.).



1.2 Warning

- (1) This equipment has been designed and manufactured to meet international safety standards.
- (2) It is the legal responsibility of the repairer to ensure that these safety standards are maintained.
- (3) Repairs must be made in accordance with the relevant safety standards.
- (4) It is essential that safety critical components are replaced by approved parts.
- (5) If mains voltage selector is provided, check setting for local voltage.

1.3 Caution

Burrs formed during molding may be left over on some parts of the chassis.
Therefore, pay attention to such burrs in the case of pre-forming repair of this system.

1.4 Critical parts for safety

In regard with component parts appearing on the silk-screen printed side (parts side) of the PWB diagrams, the parts that are printed over with black such as the resistor (\blacksquare), diode (\blacksquare) and ICP (\bullet) or identified by the " Δ " mark nearby are critical for safety. When replacing them, be sure to use the parts of the same type and rating as specified by the manufacturer.
(This regulation does not Except the J and C version)

1.5 Important for laser products

1. CLASS 1 LASER PRODUCT

2. CAUTION :

(For U.S.A.) Visible and/or invisible class II laser radiation when open. Do not stare into beam.

(Others) Visible and/or invisible class 1M laser radiation when open. Do not view directly with optical instruments.

3. CAUTION : Visible and/or invisible laser radiation when open and inter lock failed or defeated. Avoid direct exposure to beam.

4. CAUTION : This laser product uses visible and/or invisible laser radiation and is equipped with safety switches which prevent emission of radiation when the drawer is open and the safety interlocks have failed or are defeated. It is dangerous to defeat the safety switches.

(For U.S.A.)

CAUTION : Visible and/or invisible class II laser radiation when open. Do not stare into beam.

(Others)

CAUTION : Visible and/or invisible class 1M laser radiation when open. Do not view directly with optical instruments

ACHTUNG: Sichtbare und/oder unsichtbare Laserstrahlung der Klasse 1M bei offenen Abdeckungen. Nicht direkt mit optischen Instrumenten betrachten.

ATTENTION: Rayonnement laser visible et/ou invisible de classe 1M une fois ouvert. Ne pas regarder directement avec des instruments optiques.

VOORZICHTIG: Zichtbare en/of onzichtbare klasse 1M laserstralen indien geopend. Bekijk niet direct met optische instrumenten.

ATTENZIONE: Radiazione laser in classe 1M visibile e/o invisibile quando aperto. Non osservare direttamente con strumenti ottici.

WARNING: Synlig och/eller osynlig laserstrålning, klass 1M, när denna del är öppnad. Betrakta ej strålen med optiska instrument.

VARO! Avattaessa olet alttiina näkyvälle ja/tai näkymättömälle luokan 1M lasersateilylle. Älä tarkastele sitä optisen laitteen läpi.

ADVASEL: Synlig og/eller usynlig klasse 1M-laserstråling ved åbning. Se ikke direkte med optiske instrumenter.

AVISO: Radiación láser de clase 1M visible y/o invisible cuando está abierto. No mirar directamente con instrumental óptico.

PRECAUÇÃO: Radiação laser de classe 1M visível e/ou invisível quando aberto. Não olhe diretamente com instrumentos ópticos.

5. CAUTION : If safety switches malfunction, the laser is able to function.

6. CAUTION : Use of controls, adjustments or performance of procedures other than those specified here in may result in hazardous radiation exposure.



CAUTION Please use enough caution not to see the beam directly or touch it in case of an adjustment or operation check.

PRECAUÇÃO: Radiação laser de classe 1M visível e/ou invisível quando aberto. Não olhe diretamente com instrumentos ópticos.

ПРЕДУПРЕЖДЕНИЕ: В открытом состоянии происходит видимое и/или невидимое излучение лазера класса 1M. Не смотрите непосредственно в оптические инструменты.

UWAGA: Otwarcie spowoduje narażenie na widzialne i/lub niewidzialne promieniowanie lasera klasy 1M. Nie patrzeć bezpośrednio w przyrządy optyczne.

UPOZORNĚNÍ: Při otevření vydává viditelné popř. neviditelné laserové ozáření třídy 1M. Nedívejte se do otvoru přímo s optickými nástroji.

FIGYELMEZTETÉS: Látható és/vagy láthatatlan 1M osztályú sugárzás nyitott állapotban. Ne nézze közvetlenül optikai műszerekkel.

注意: 打開蓋板可能會產生可見或不可見的 1M 級鐳射。不要使用光學儀器直接進行窺視。

注意: 打开蓋板可能會產生可見或不可見的 1M 級鐳射。不要使用光學儀器直接進行窺視。

تنبيه: يوجد إشعاع ليزري مرئي و/أو غير مرئي من الفئة 1M عندما يكون الجهاز مفتوحاً. تجنب النظر مباشرة داخل الجهاز باستخدام أدوات بصرية.

احتياط: هنگامی که باز گردد، تشعشع مرئی و یا نامرئی کلاس 1M لیزر وجود دارد. با لوازم چشمی مستقیماً به آن نگاه نکنید.

주의: 개방하면 가시 및/또는 비가시 클래스 1M 레이저 방사선이 나옵니다. 광학 기구로 직접 들여다보지 마십시오.

SECTION 2
SPECIFIC SERVICE INSTRUCTIONS

This service manual does not describe SPECIFIC SERVICE INSTRUCTIONS.

SECTION 3 DISASSEMBLY

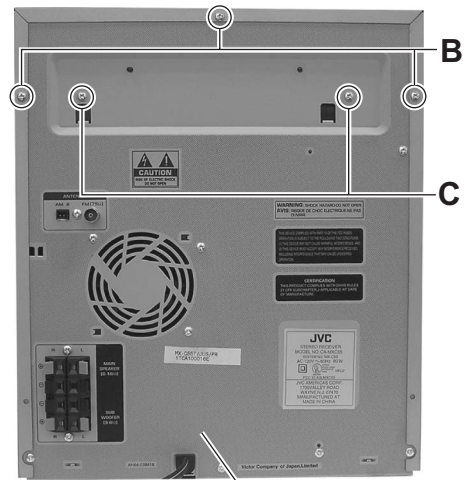
3.1 Main body section

3.1.1 Removing the top cabinet (See Figs.1 and 2)

- (1) From the both sides of the main body, remove the six screws **A** attaching the top cabinet. (See Fig.1.)
- (2) From the back side of the main body, remove the three screws **B** attaching the top cabinet. (See Fig.2.)
- (3) Take out the top cabinet from the main body while lifting the rear section of the top cabinet in the direction of the arrow. (See Fig.1.)

3.1.2 Removing the CD deck assembly (See Figs.2 to 4)

- Remove the top cabinet.
 - (1) From the back side of the main body, remove the two screws **B** attaching the CD deck assembly to the rear cabinet. (See Fig.2.)
 - (2) From the bottom side of the CD deck assembly, turn the gear cam in the direction of the arrow and draw the tray disc out of the CD deck assembly in the direction of the arrow 1. (See Figs.3 and 4.)
 - (3) Remove the CD door from the tray disc in the direction of the arrow 2. (See Fig.4.)
- (4) From the left side of the main body, disconnect the wire from the connector **CN103** on the main AMP board. (See Fig.4)
- (5) Disconnect the card wire from the connector **CW105** on the CD board. (See Fig.4)
- (6) From the both sides of the main body, remove the two screws **D** and then take out the CD deck assembly from the main body. (See Fig.4.)



Rear cabinet
Fig.2

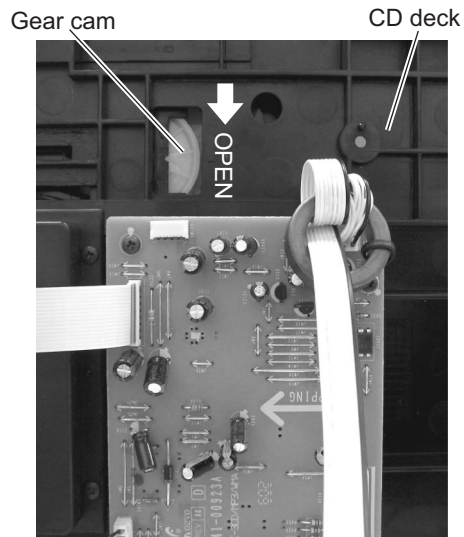


Fig.3

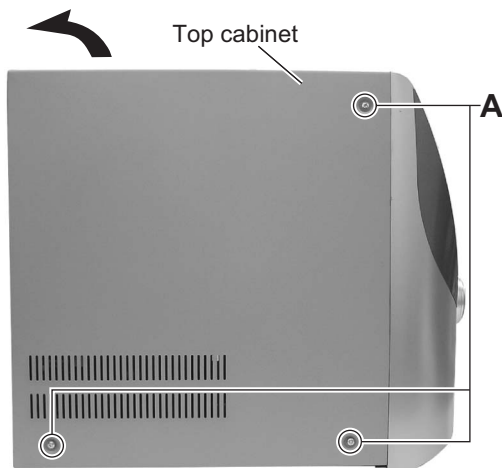


Fig.1

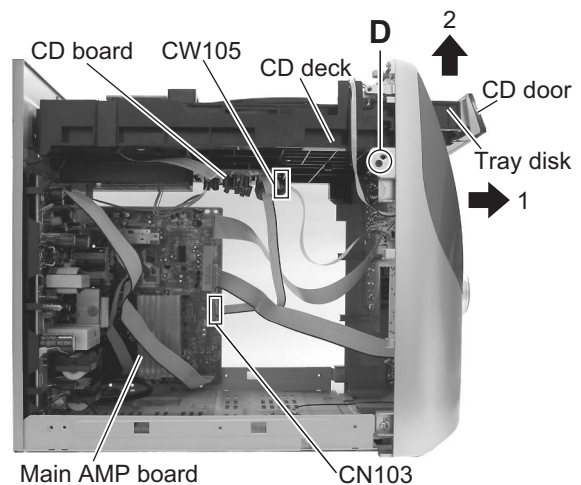


Fig.4

3.1.3 Removing the main AMP board (See Figs.5 to 7)

- Remove the top cabinet and CD deck assembly.
 - (1) From the right side of the main body, remove the screw **E** attaching the main AMP board to the main body. (See Fig.5)
 - (2) From the top side of the main body, disconnect the wire from the connector **CN108** on the main AMP board. (See Fig.6.)
 - (3) Disconnect the card wire from the connector **CN101** on the main AMP board. (See Fig.6.)
 - (4) Disconnect the wire from the connector **CN102** on the main AMP board. (See Fig.6.)
 - (5) Disconnect the wires from the connectors (**SMCN01**, **SMCN02**) on the SMPS board. (See Fig.6.)
 - (6) From the back side of the main body, remove the three screws **G** attaching the main AMP board to the rear cabinet. (See Fig.7.)
 - (7) Take out the main AMP board from the bottom cabinet.

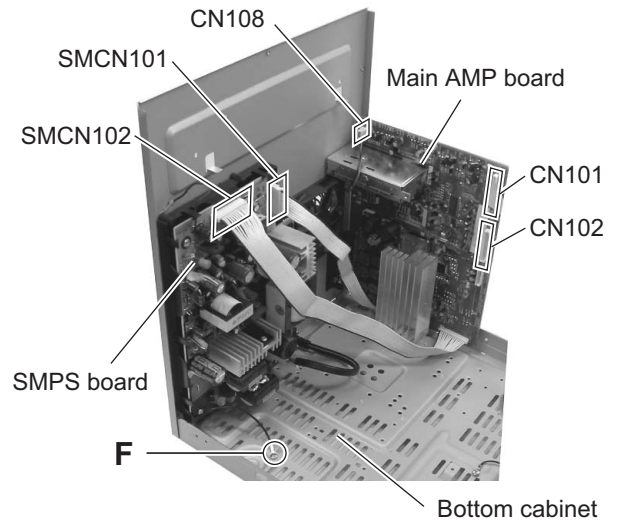


Fig.6

3.1.4 Removing the SMPS board and rear cabinet (See Figs.6 to 8)

- Remove the top cabinet, CD deck assembly and main AMP board.
 - (1) From the top side of the main body, remove the screw **F** attaching the earth wire on the bottom cabinet. (See Fig.6.)
 - (2) From the back side of the main body, remove the three screws **H** attaching the rear cabinet. (See Fig.7.)
 - (3) Remove the sections **a** toward this side and take out the rear cabinet. (See Fig.7.)
 - (4) From the inside of the rear cabinet, remove the four screws **M** attaching the SMPS board. (See Fig.8.)
 - (5) Release the claw **b** and take out the SMPS board from the rear cabinet assembly. (See Fig.8.)

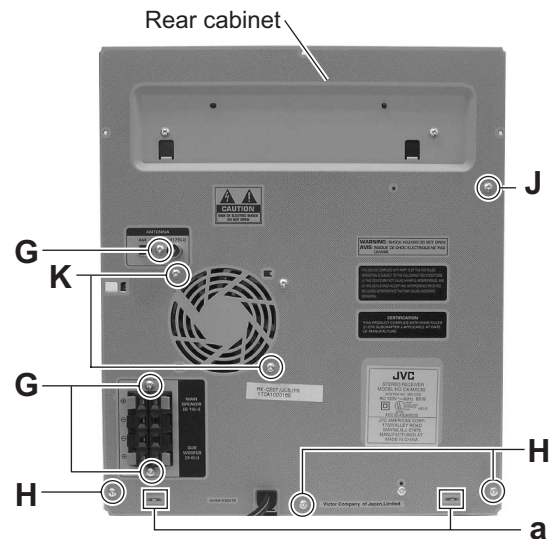


Fig.7

3.1.5 Removing the fan motor (See Figs.7 and 8)

- Remove the top cabinet, CD deck assembly and main AMP board.
 - (1) From the back side of the main body, remove the two screws **K** attaching the fan motor to the rear cabinet. (See Fig.7.)
 - (2) Take out the fan motor from the rear cabinet. (See Fig.8.)

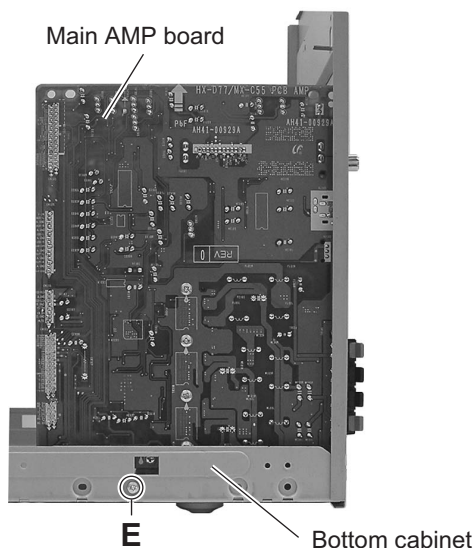


Fig.5

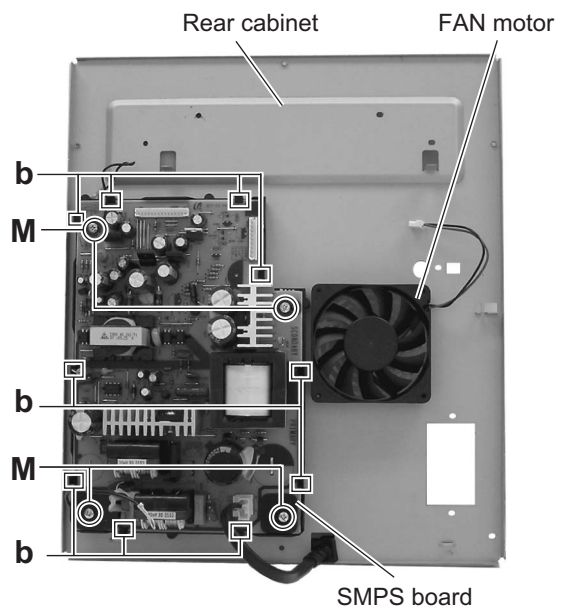


Fig.8

3.1.6 Removing the front cabinet assembly (See Figs.9 to 11)

- Remove the top cabinet and CD deck assembly.
 - (1) From the top side of the main body, remove the screw **N** attaching the earth wire on the bottom cabinet. (See Fig.9.)
 - (2) Disconnect the card wire from the connector **CN101** on the main AMP board. (See Fig.10.)
 - (3) Disconnect the wire from the connector **CN102** on the main AMP board. (See Fig.10.)
 - (4) From the both sides of the main body, remove the two screws **P** attaching the front cabinet assembly. (See Fig.11.)
 - (5) From the both and bottom sides of the main body, release the joints (**c**, **d**) and then take out the front cabinet assembly from the main body in the direction of the arrow. (See Figs.11.)

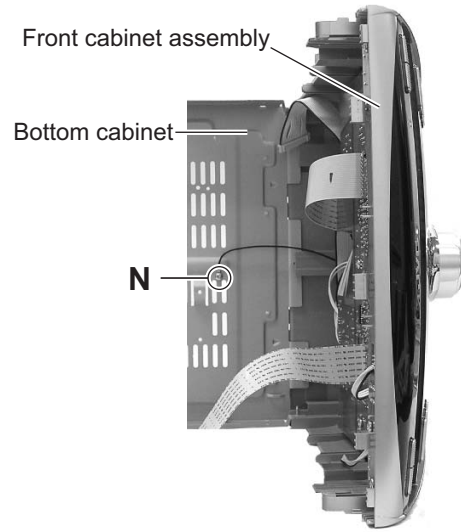


Fig.9

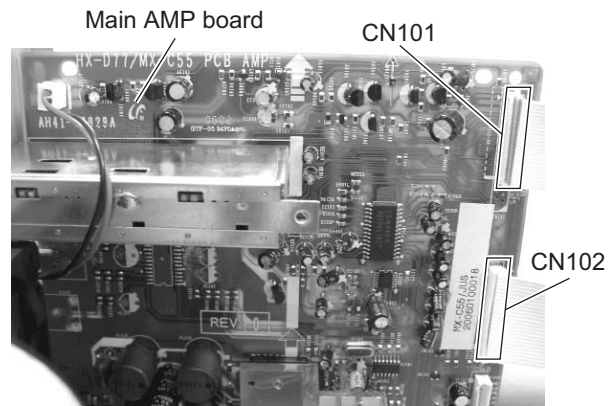


Fig.10

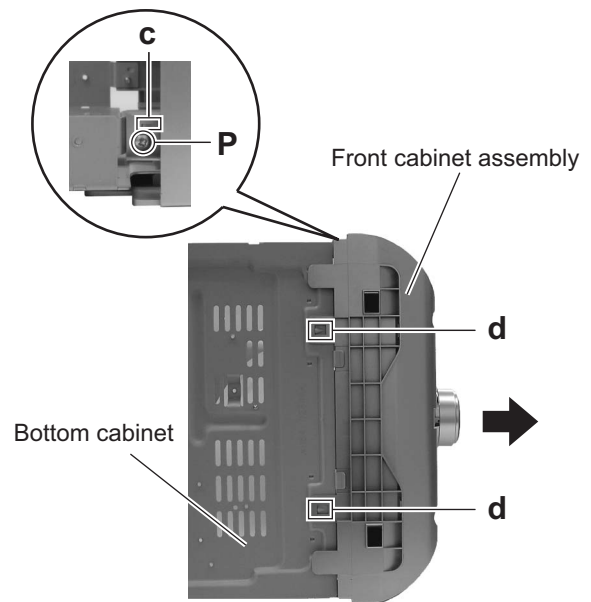


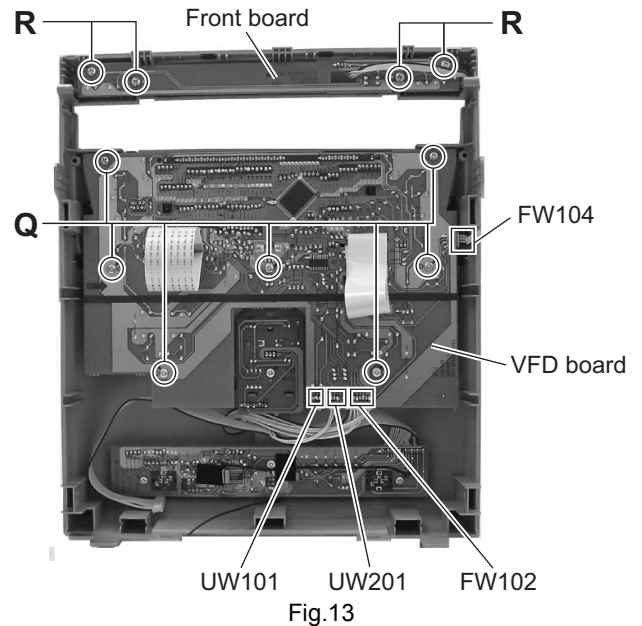
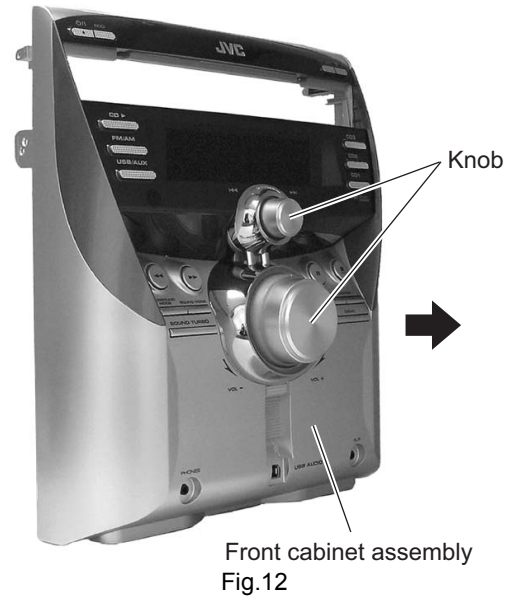
Fig.11

3.1.7 Removing the VFD board (See Figs.12 and 13)

- Remove the top cabinet, CD deck assembly and front cabinet assembly.
 - From the front side of the front cabinet assembly, pull out the two knobs. (See Fig.12.)
 - From the inside of the front cabinet assembly, remove the seven screws **Q** attaching the VFD board. (See Fig.13.)
 - Take out the VFD board from the front cabinet assembly and then disconnect the wires from the connectors ([UW101](#), [UW201](#), [FW102](#), [FW104](#)) on the VFD board. (See Fig.13.)

3.1.8 Removing the front board (See Fig.12)

- Remove the top cabinet, CD deck assembly, front cabinet assembly and VFD board.
 - From the inside of the front cabinet assembly, remove the four screws **R** attaching the front board.
 - Take out the front board from the front cabinet assembly.

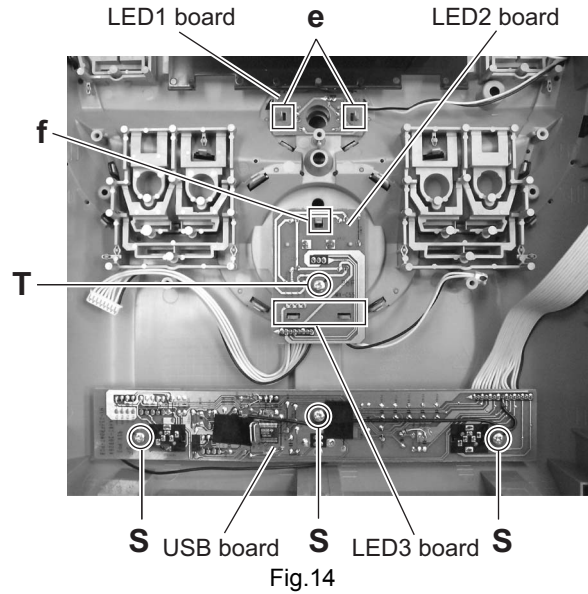


3.1.9 Removing the USB board (See Fig.14)

- Remove the top cabinet, CD deck assembly, front cabinet assembly, Knobs and VFD board.
 - From the inside of the front cabinet assembly, remove the three screws **S** attaching the USB board.
 - Take out the USB board from the front cabinet assembly.

3.1.10 Removing the LED1 board, LED2 board and LED3 board (See Fig.14)

- Remove the top cabinet, CD deck assembly, front cabinet assembly, knobs and VFD board.
 - From the inside of the front cabinet assembly, release the claws **e** and then take out the LED1 board from the front cabinet assembly.
 - Remove the screw **T** attaching the LED2 board.
 - Release the claw **f** and then take out the LED2 board from the front cabinet assembly.
 - Take out the LED3 board from the front cabinet assembly.



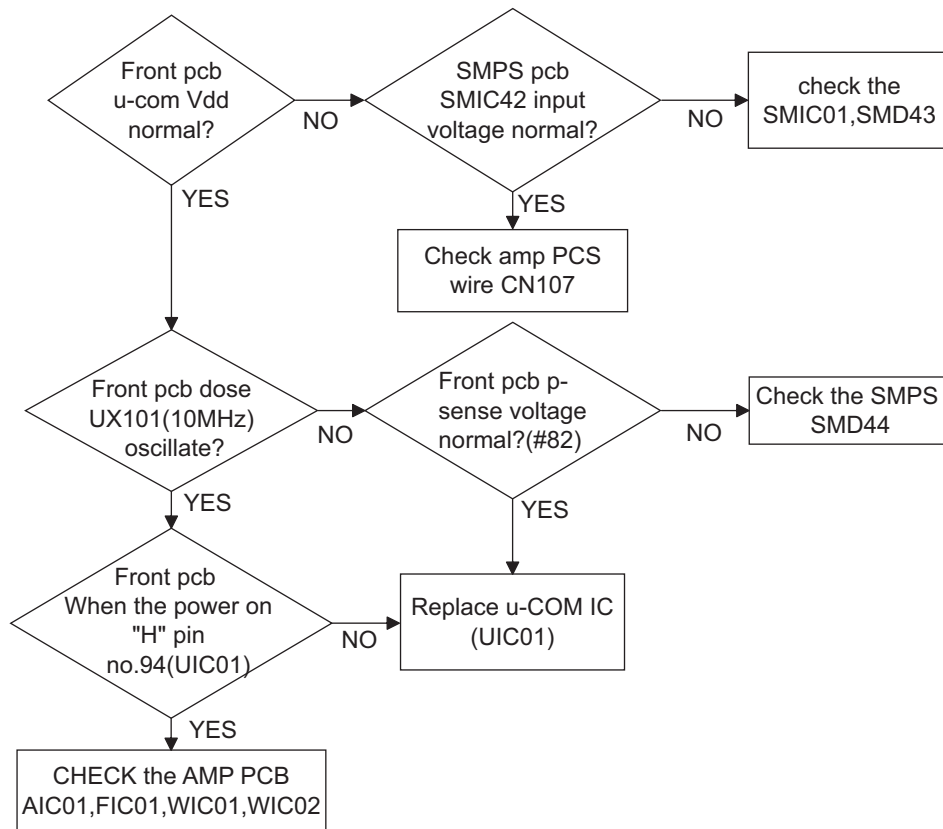
SECTION 4 ADJUSTMENT

This service manual does not describe ADJUSTMENT.

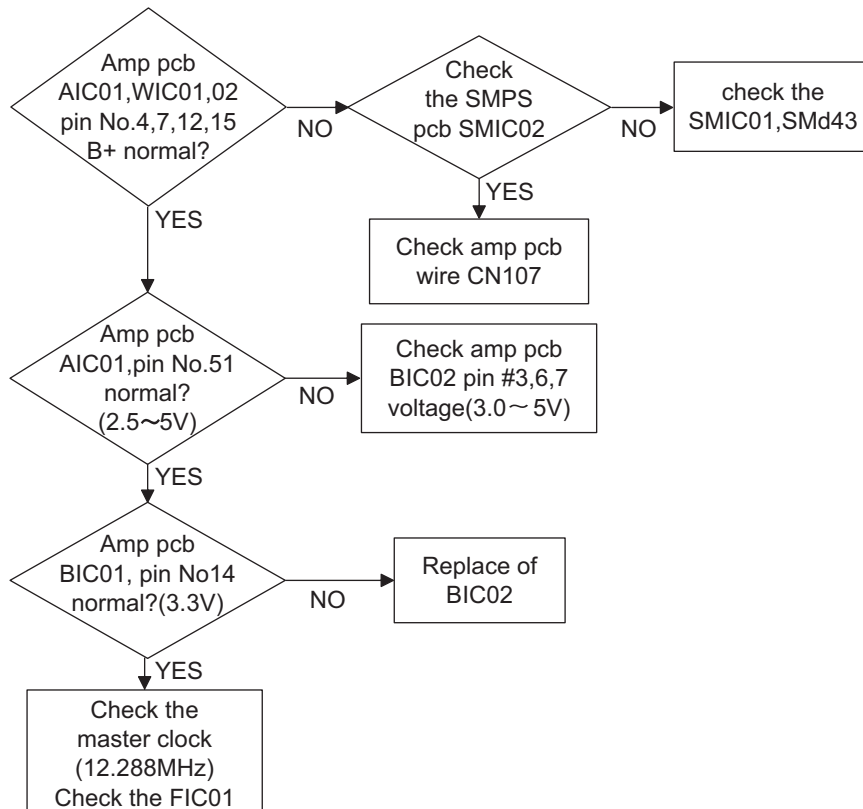
SECTION 5 TROUBLESHOOTING

5.1 Amplifier

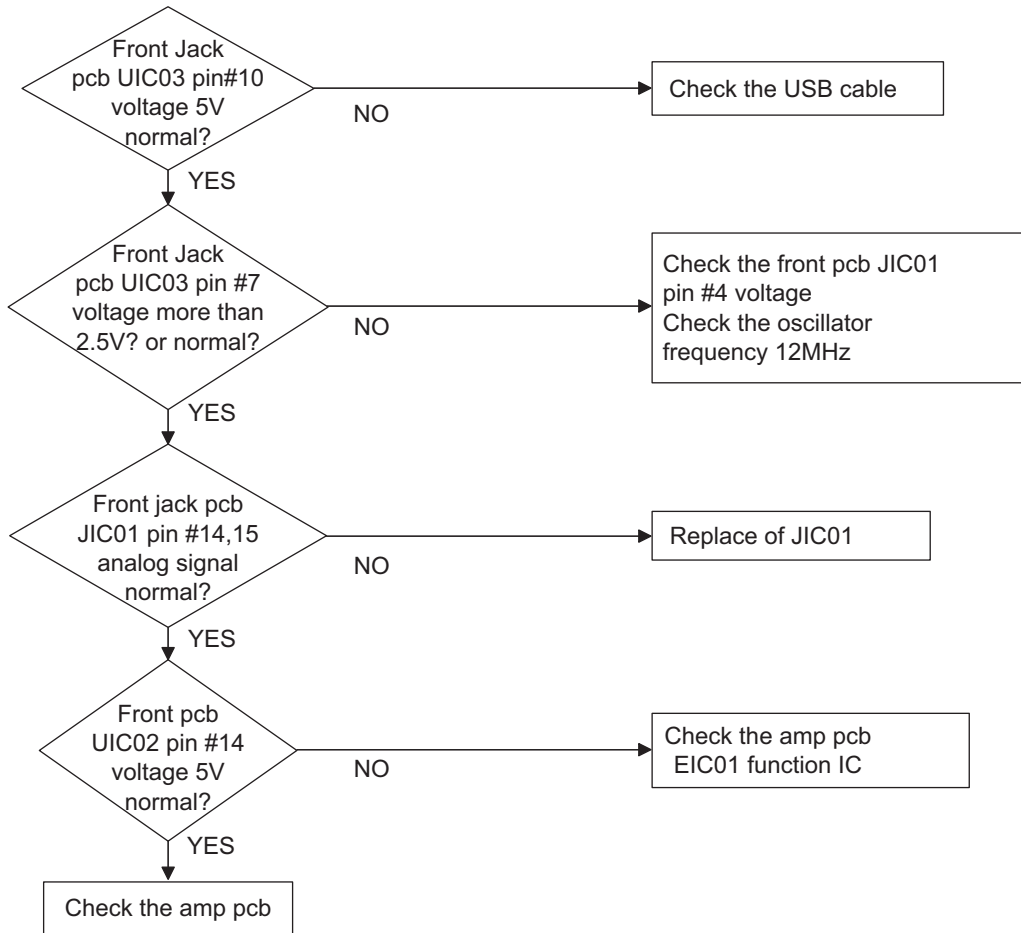
5.1.1 Power Malfunction



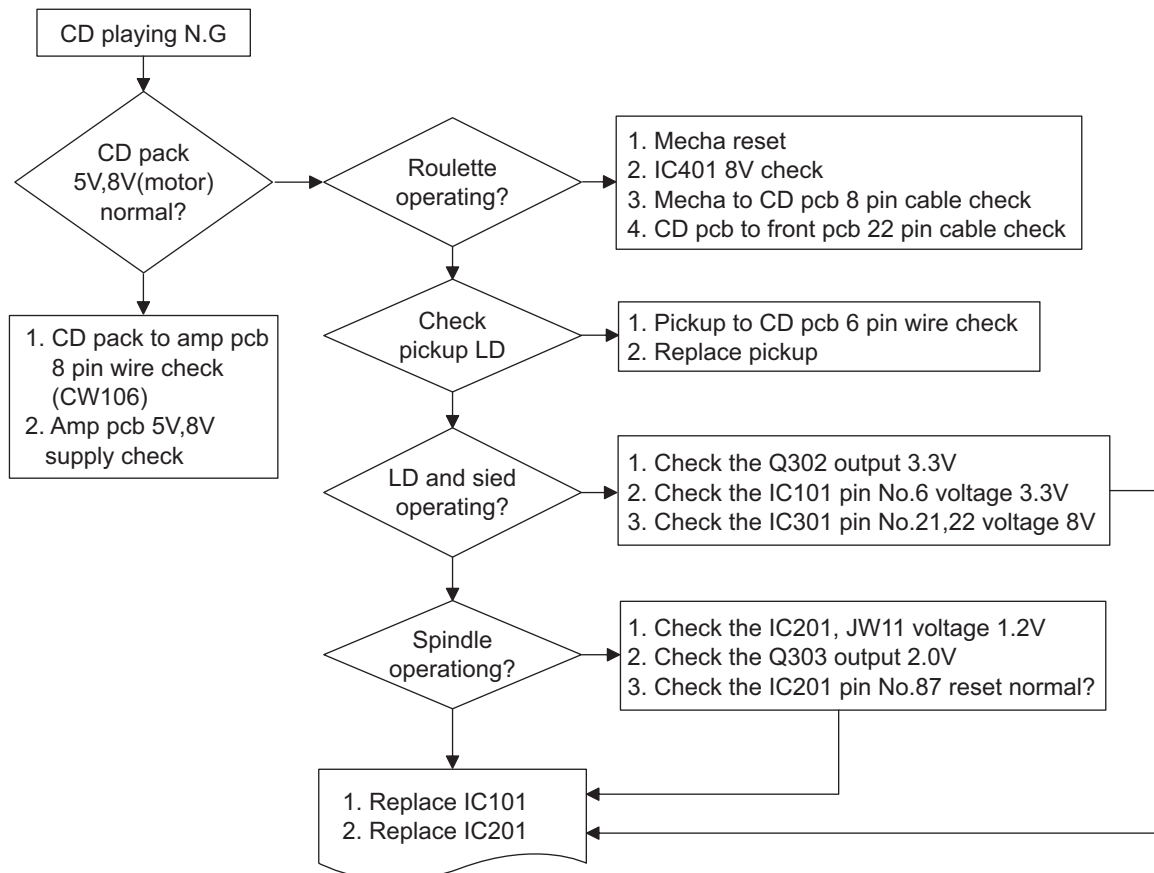
5.1.2 No Output



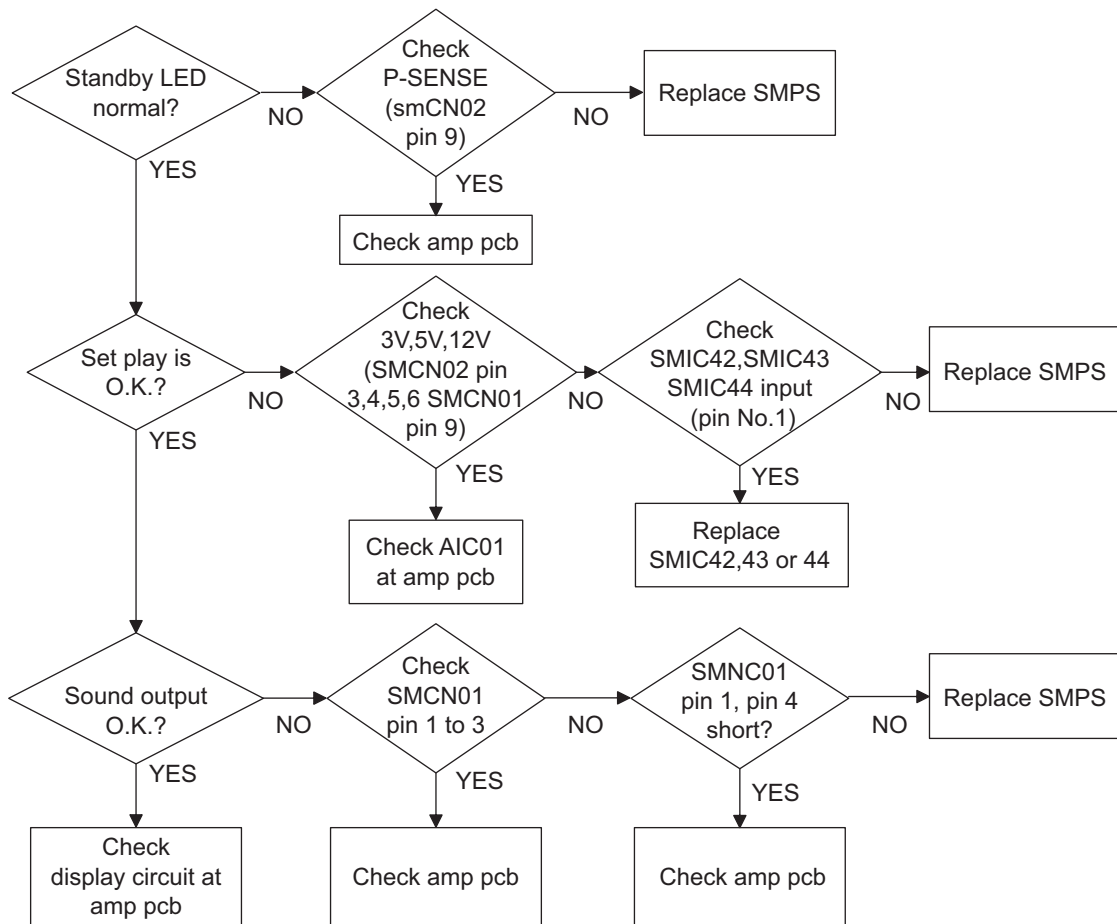
5.1.3 USB Malfunction



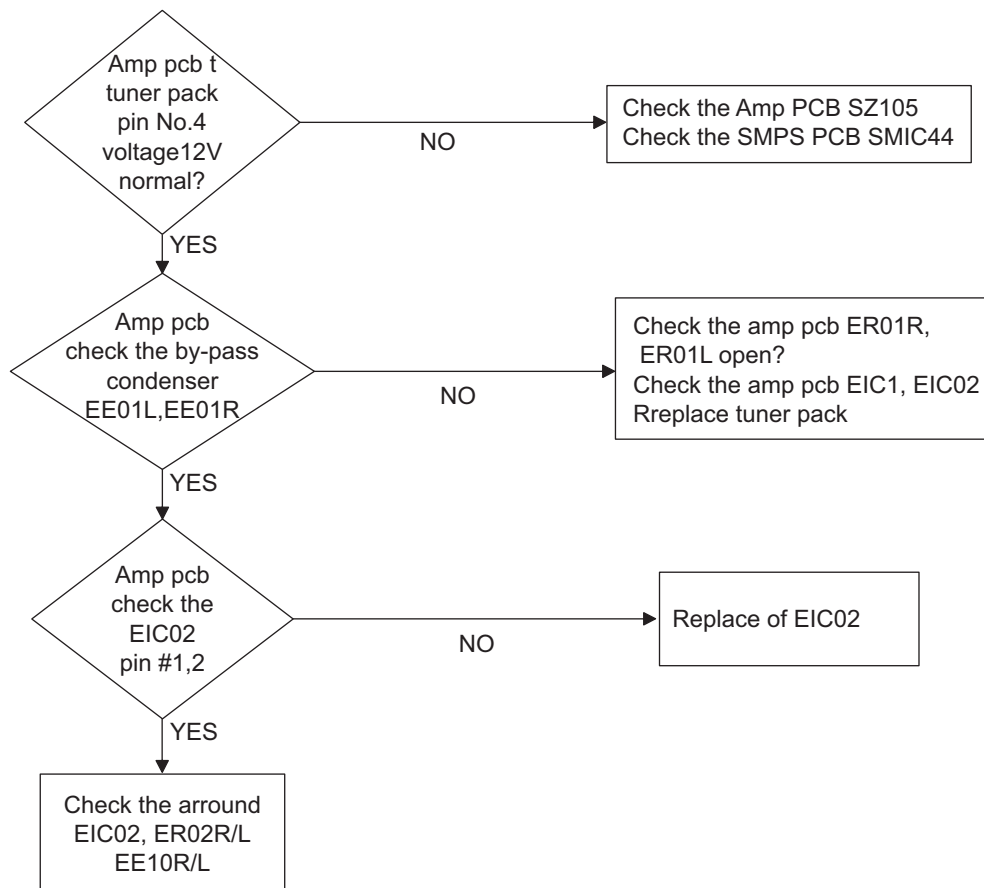
5.1.4 Compact Disc Player



5.1.5 SMPS



5.1.6 Tuner Malfunction (FM/AM)





JVC

Victor Company of Japan, Limited
Audio/Video Systems Category 10-1,1chome,Ohwatari-machi,Maebashi-city,371-8543,Japan

(No.MB508)

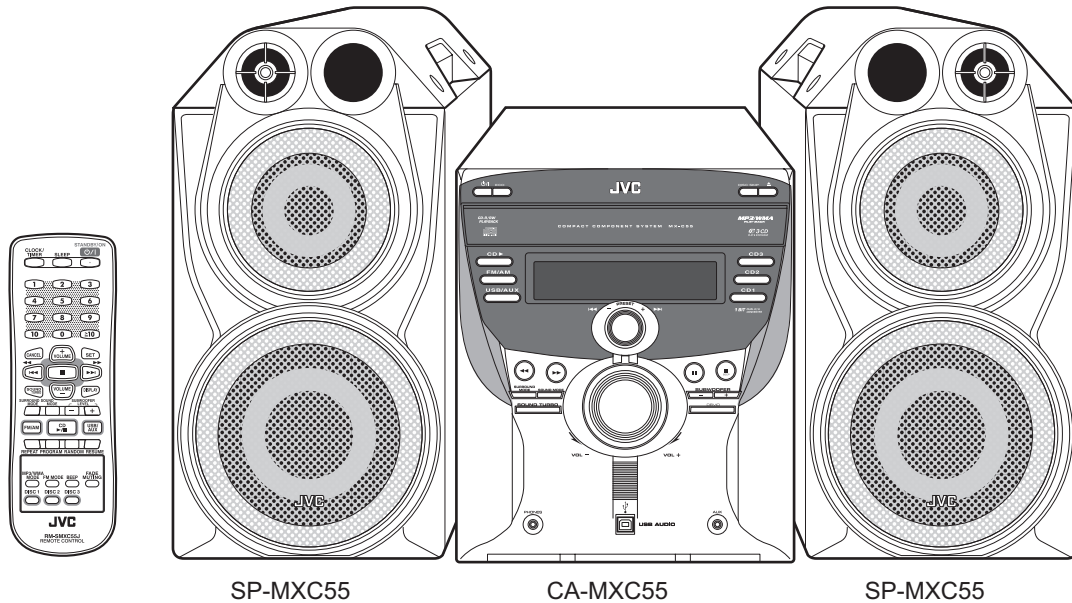
JVC

SCHEMATIC DIAGRAMS

COMPACT COMPONENT SYSTEM

MX-C55J, MX-C55C

CD-ROM No.SML200606



Lead free solder used in the board (material : Sn-Ag-Cu, melting point : 219 Centigrade)

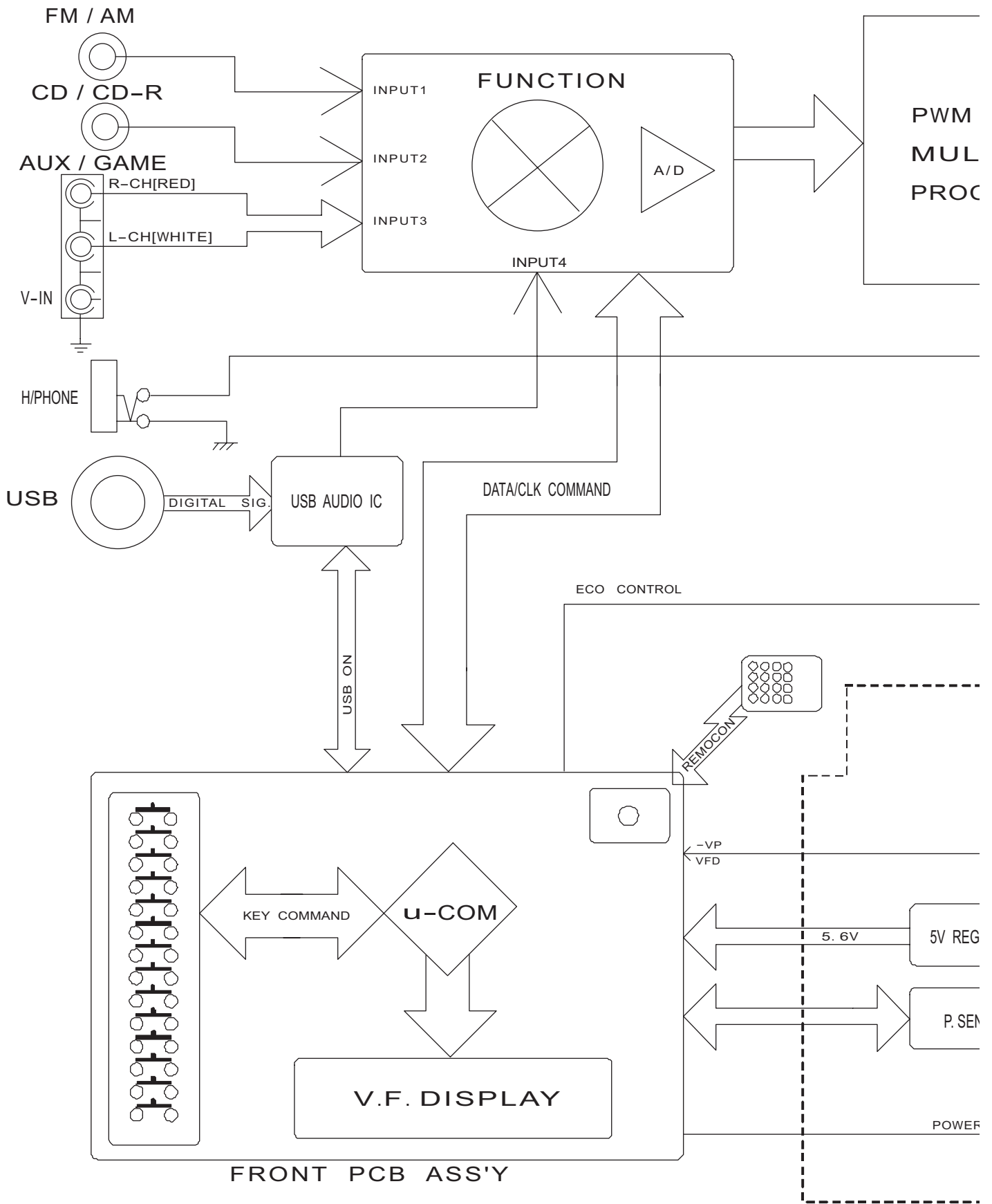
Contents

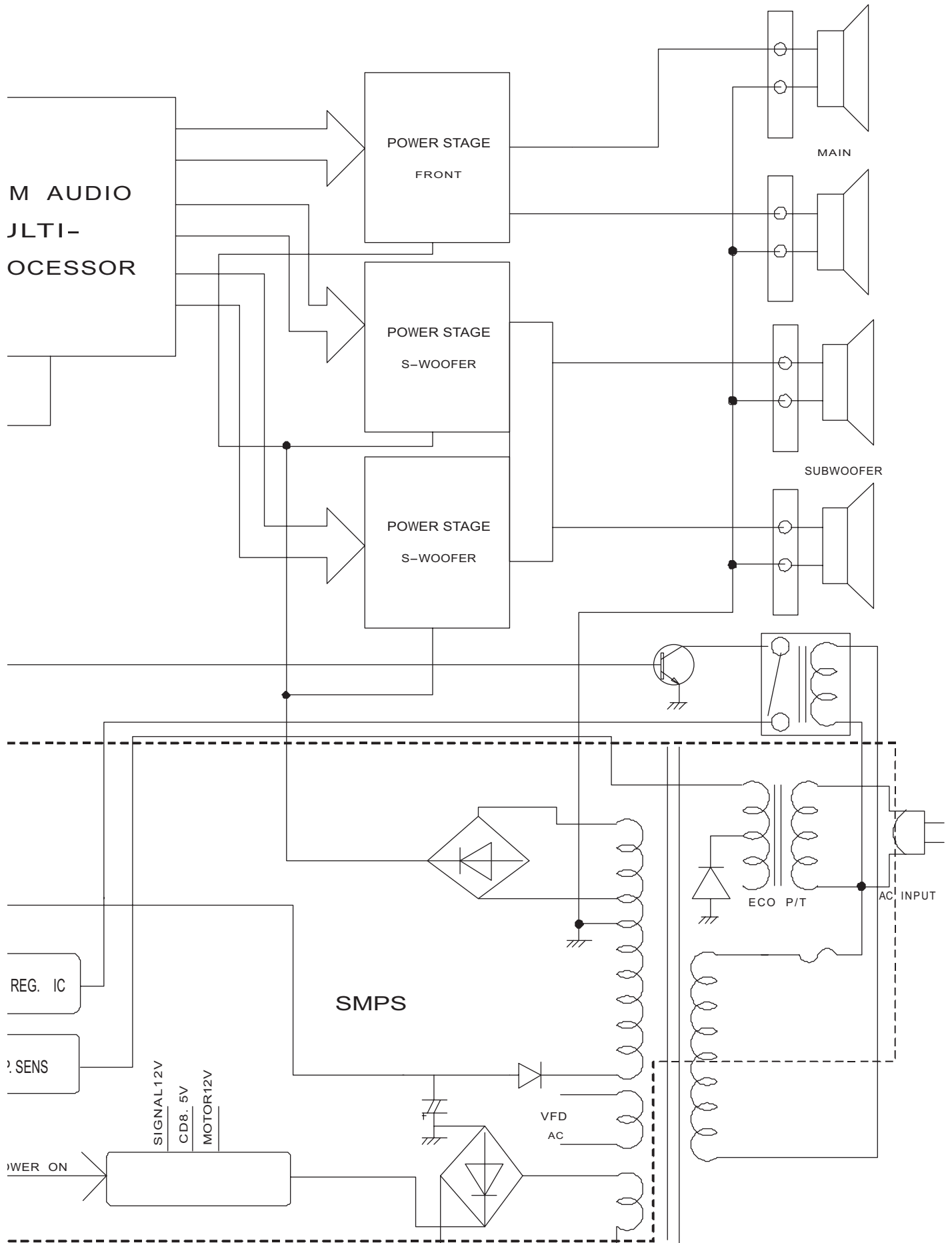
Block diagrams	2-1
Standard schematic diagrams	2-3
Printed circuit boards	2-11 to 17

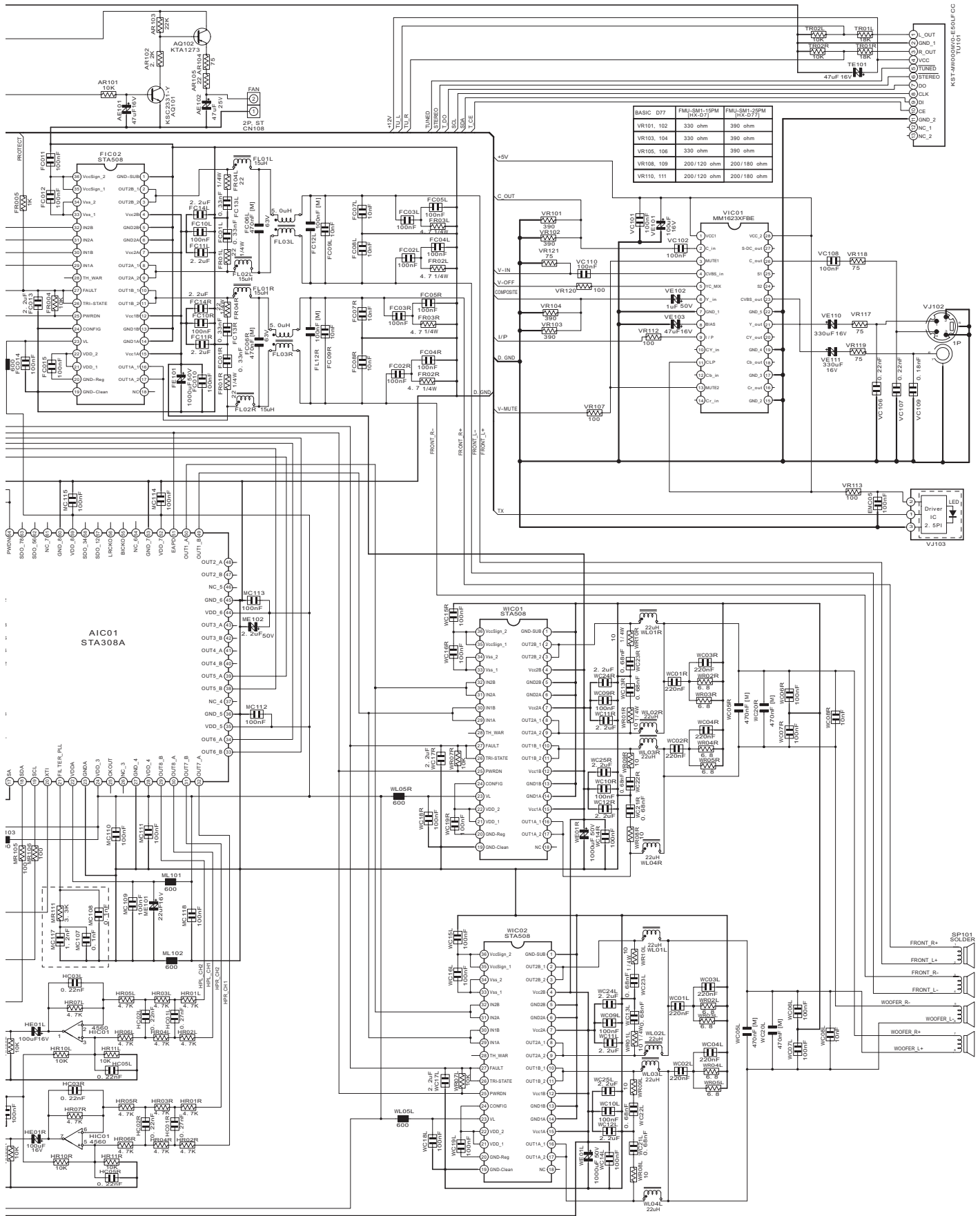
In regard with component parts appearing on the silk-screen printed side (parts side) of the PWB diagrams, the parts that are printed over with black such as the resistor (■), diode (▣) and ICP (●) or identified by the "▲" mark nearby are critical for safety.

< MEMO >

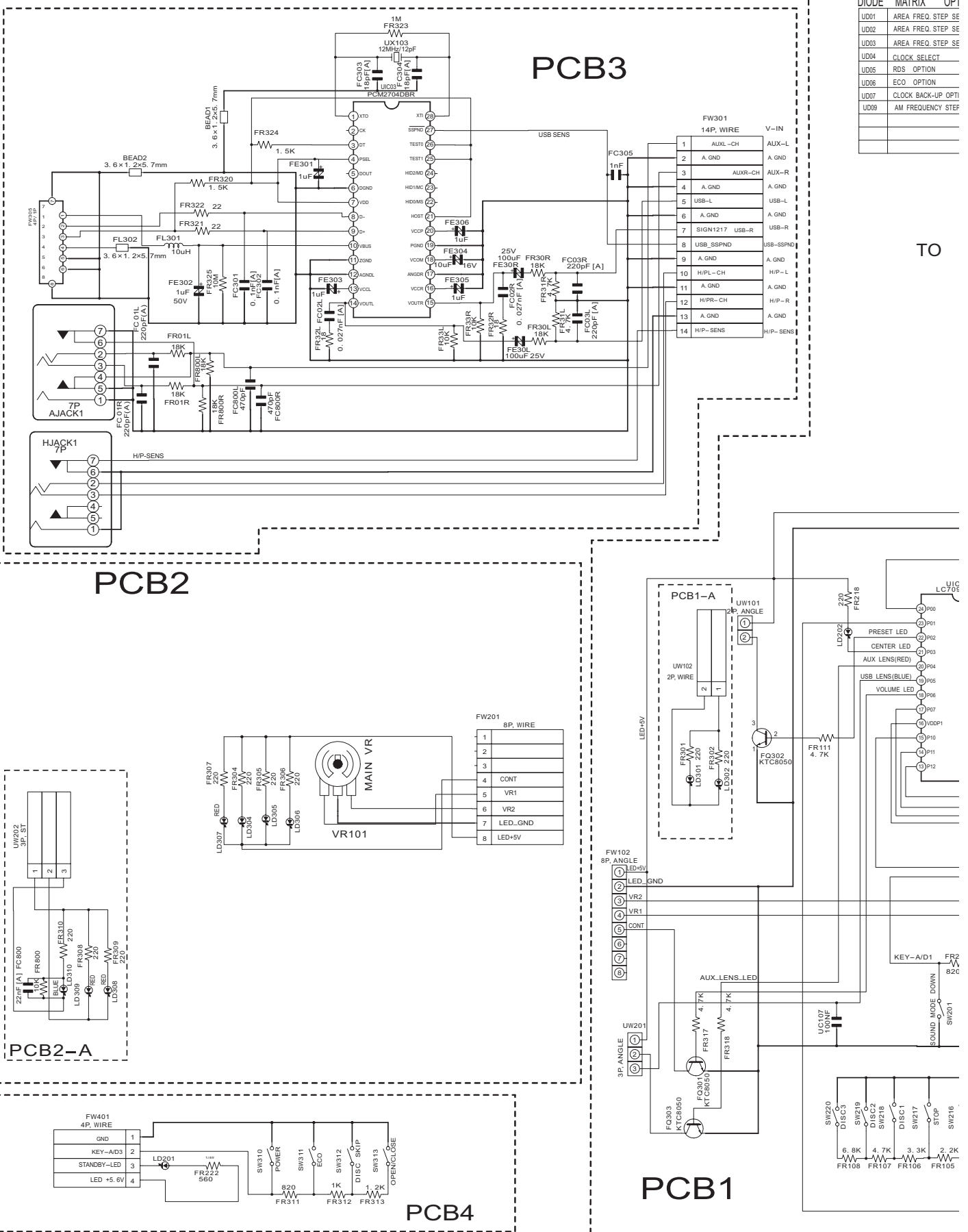
Block diagram





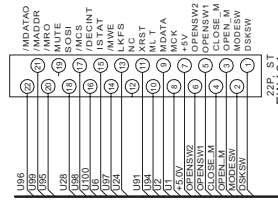


Front section

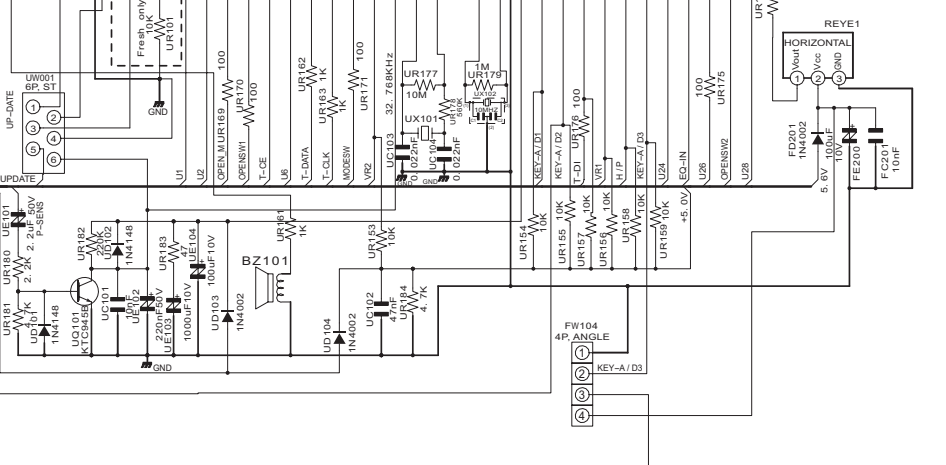
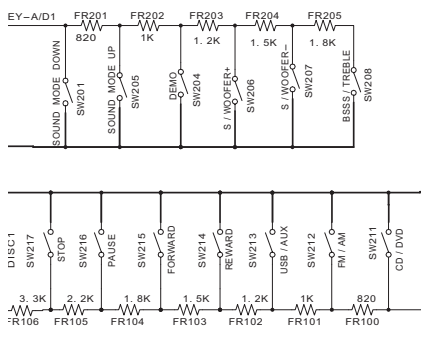
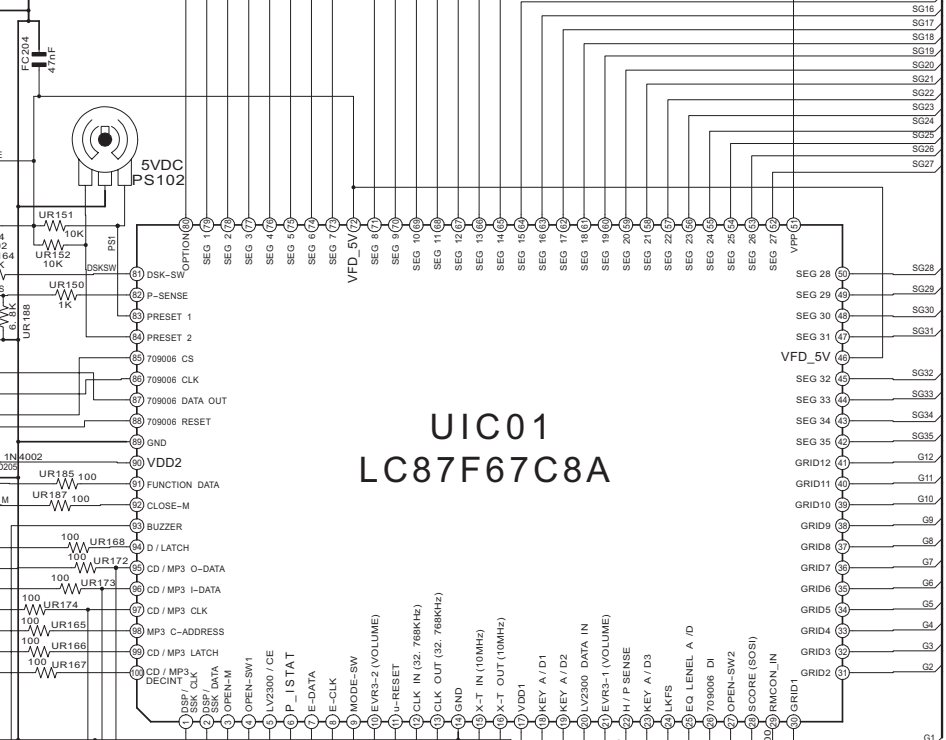
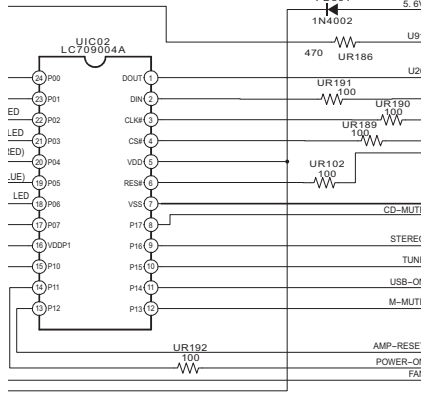
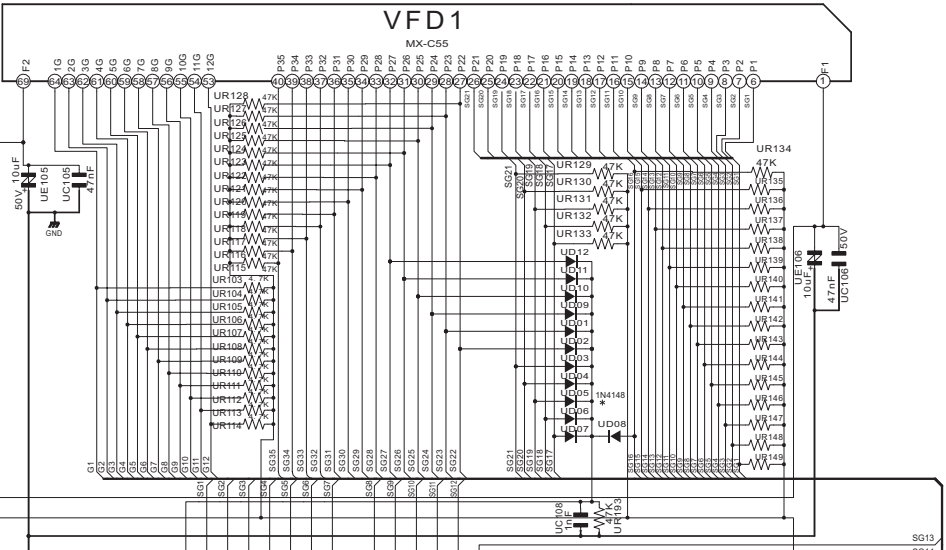
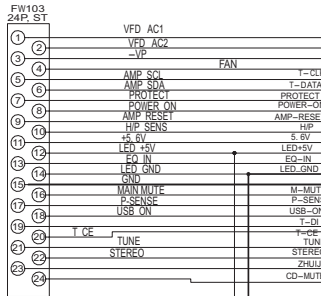


MATRIX OPTION

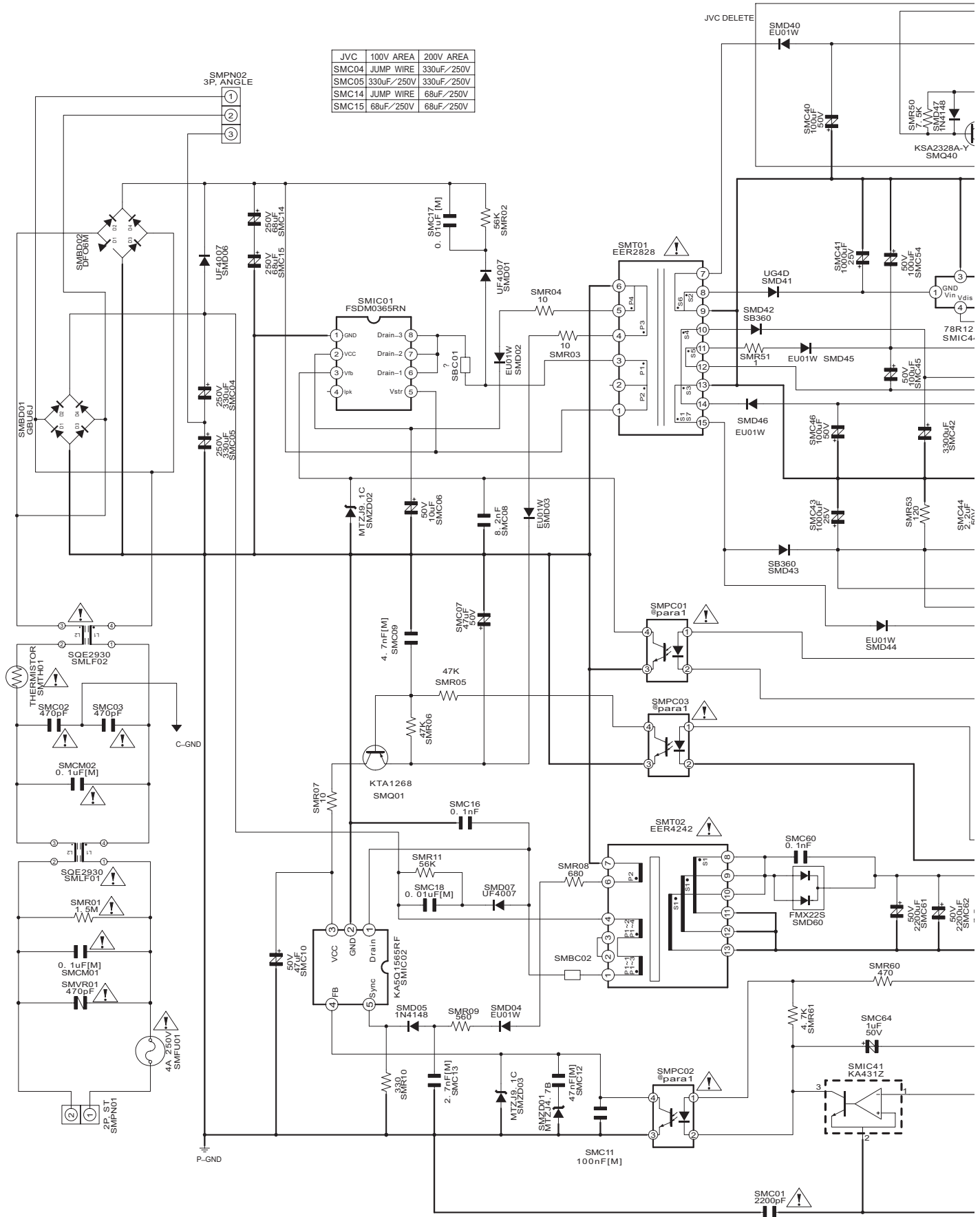
- 1 EA FREQ. STEP SELECT
- 2 EA FREQ. STEP SELECT
- 3 EA FREQ. STEP SELECT
- 4 QCK SELECT
- 5 IS OPTION
- 6 IO OPTION
- 7 QCK BACK-UP OPTION
- 8 V FREQUENCY STEP



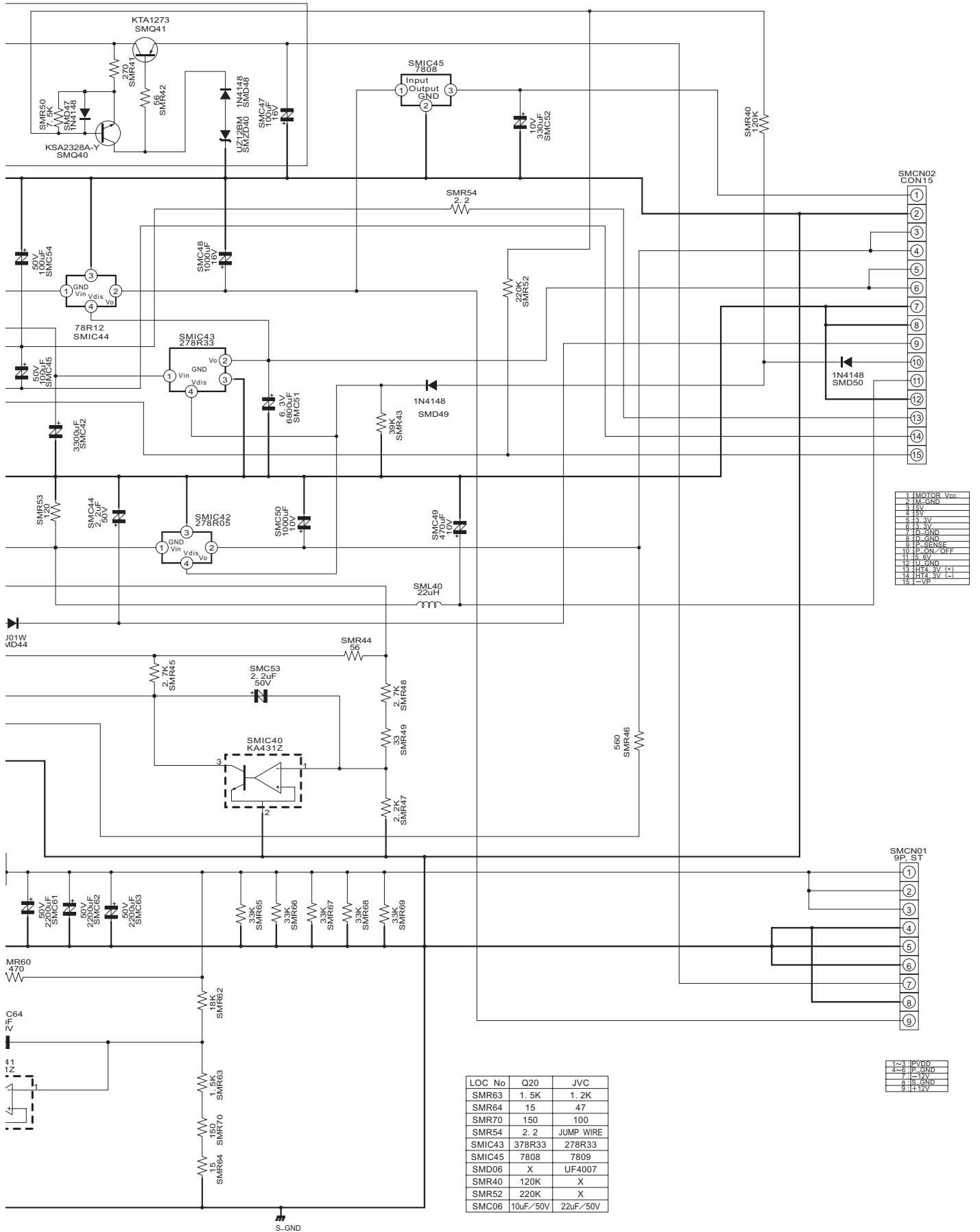
TO MAIN /AMP PCB



SMPS section



JVC	100V AREA	200V AREA
SMC04	JUMP WIRE	330uF/250V
SMC05	JUMP WIRE	330uF/250V
SMC14	JUMP WIRE	68uF/250V
SMC15	JUMP WIRE	68uF/250V



1	MOTOR Vcc
2	HE GND
3	4.5V
4	3.3V
5	3.3V
6	3.3V
7	10 GND
8	D GND
9	P SENSE
10	P ON/OFF
11	5V
12	0V GND
13	H2 3V (+)
14	H4 3V (-)
15	-VP

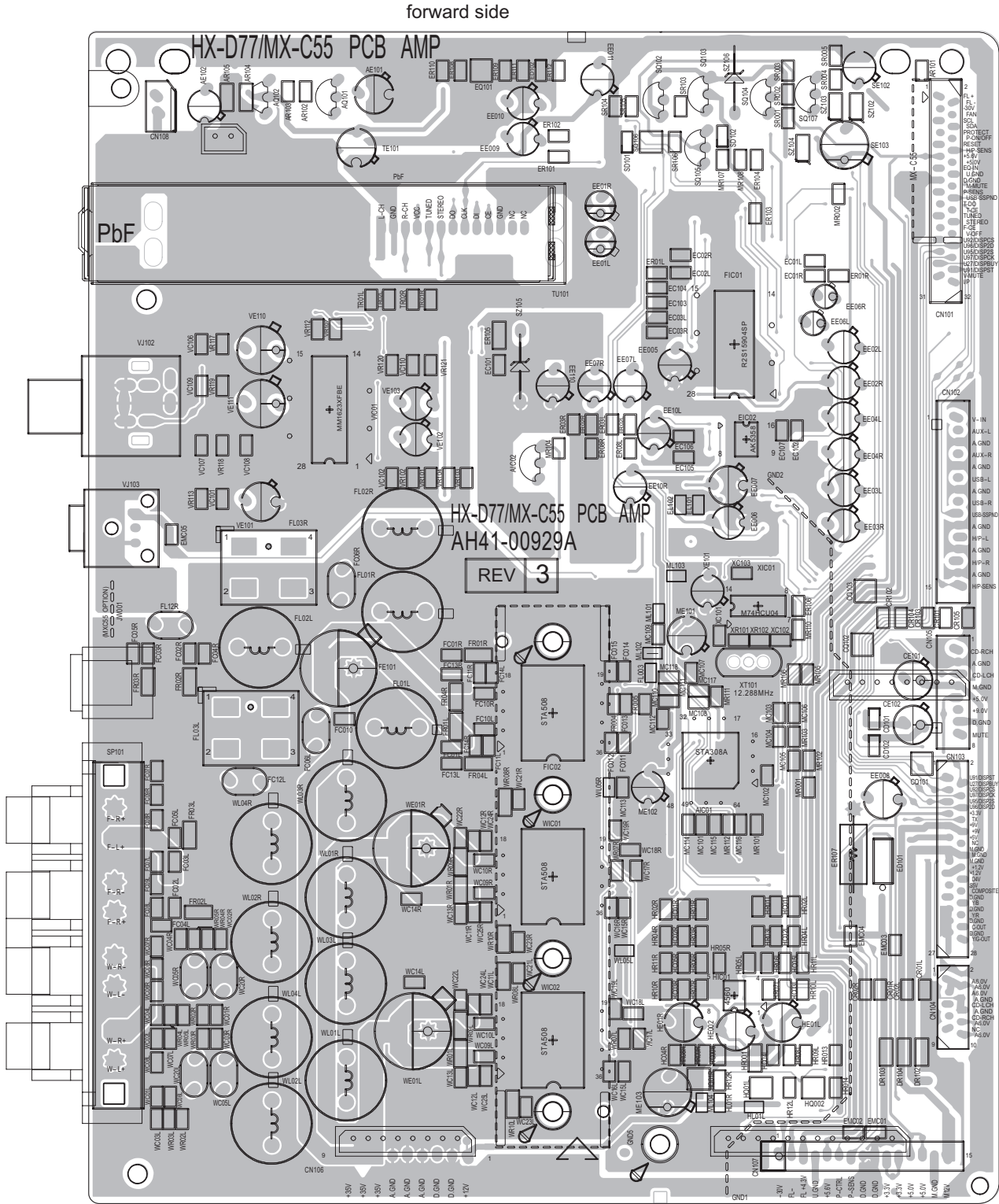
1	SMCN01
2	9P-ST
3	
4	
5	
6	
7	
8	
9	

1-3	PVDD
4-5	P-GND
7	12V
8	GND
9	12V

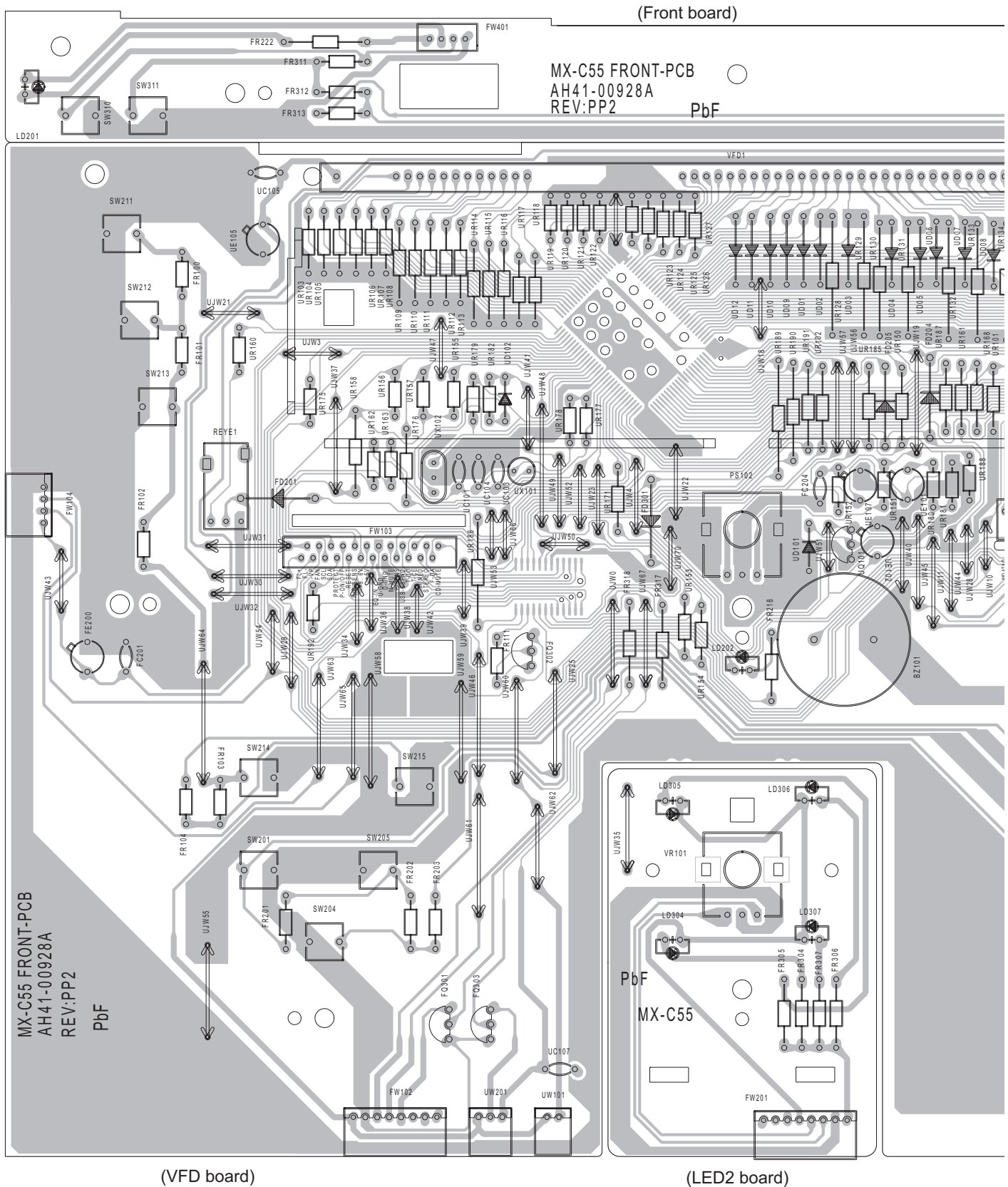
LOC No	Q20	JVC
SMR63	1.5K	1.2K
SMR64	15	47
SMR70	150	100
SMR54	2.2	JUMP WIRE
SMIC43	378R33	278R33
SMIC45	7808	7809
SMD06	X	UF4007
SMR40	120K	X
SMR52	220K	X
SMC06	10uF/50V	22uF/50V

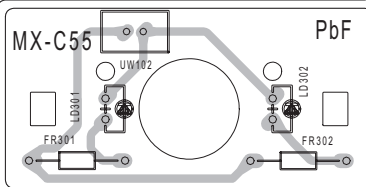
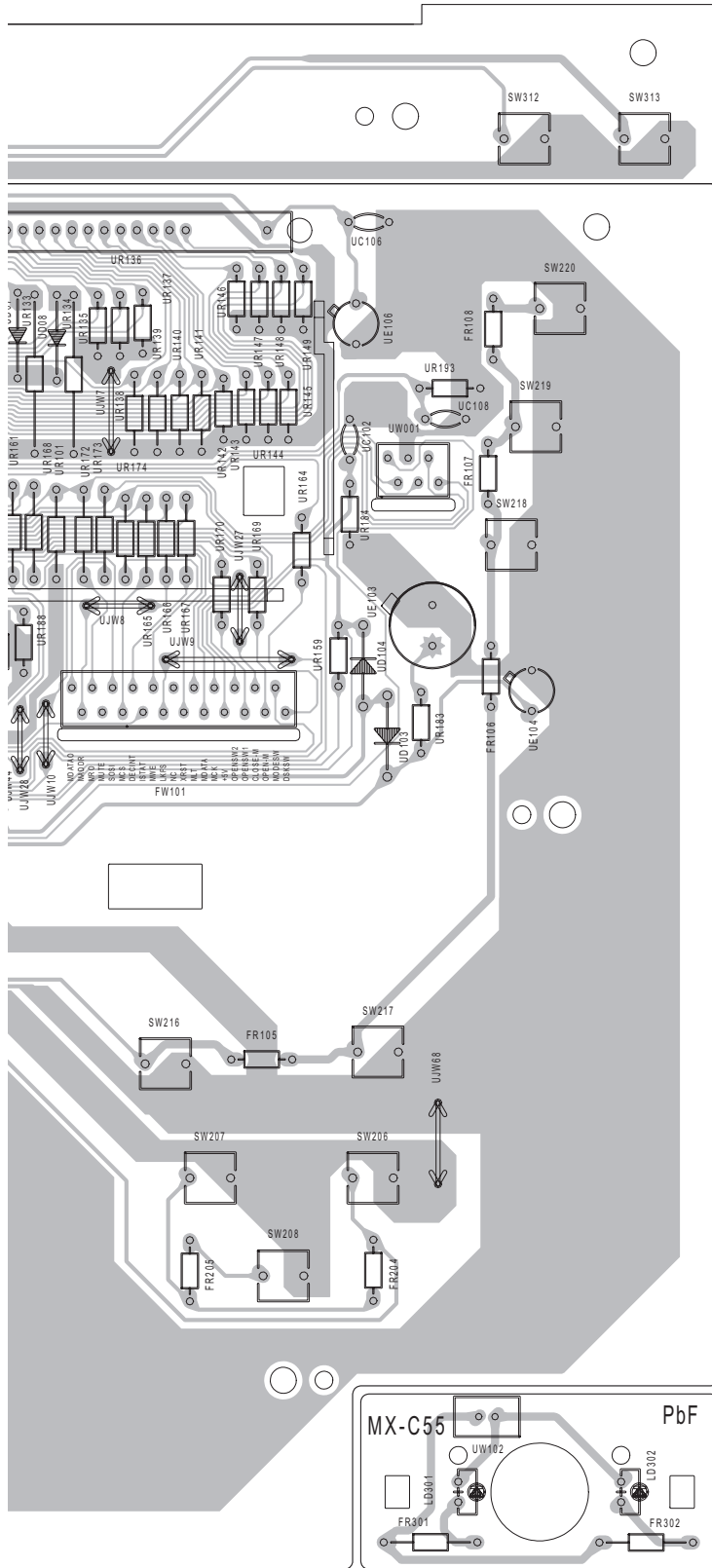
Printed circuit boards

■ Amp board Lead free solder used in the board (material : Sn-Ag-Cu, melting point : 219 Centigrade)

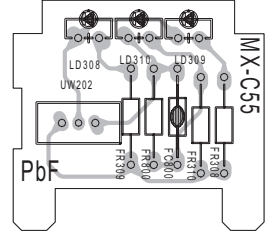
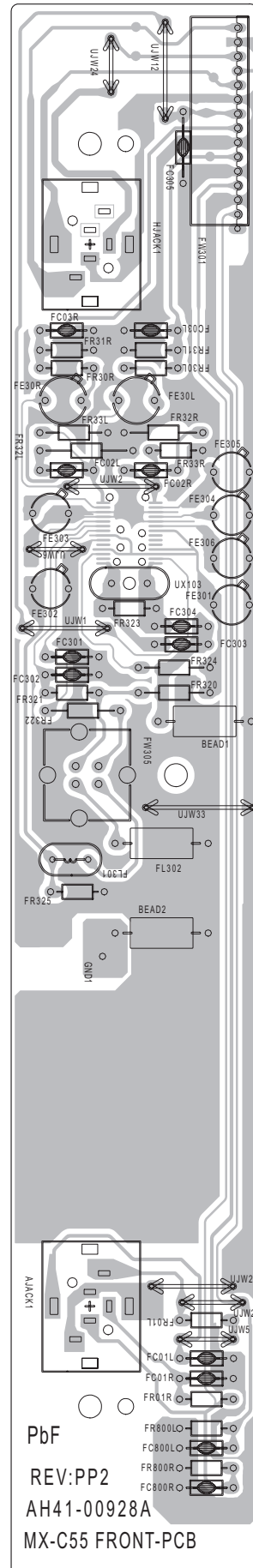


■ **Front board** Lead free solder used in the board (material : Sn-Ag-Cu, melting point : 219 Centigrade)





(LED1 board)

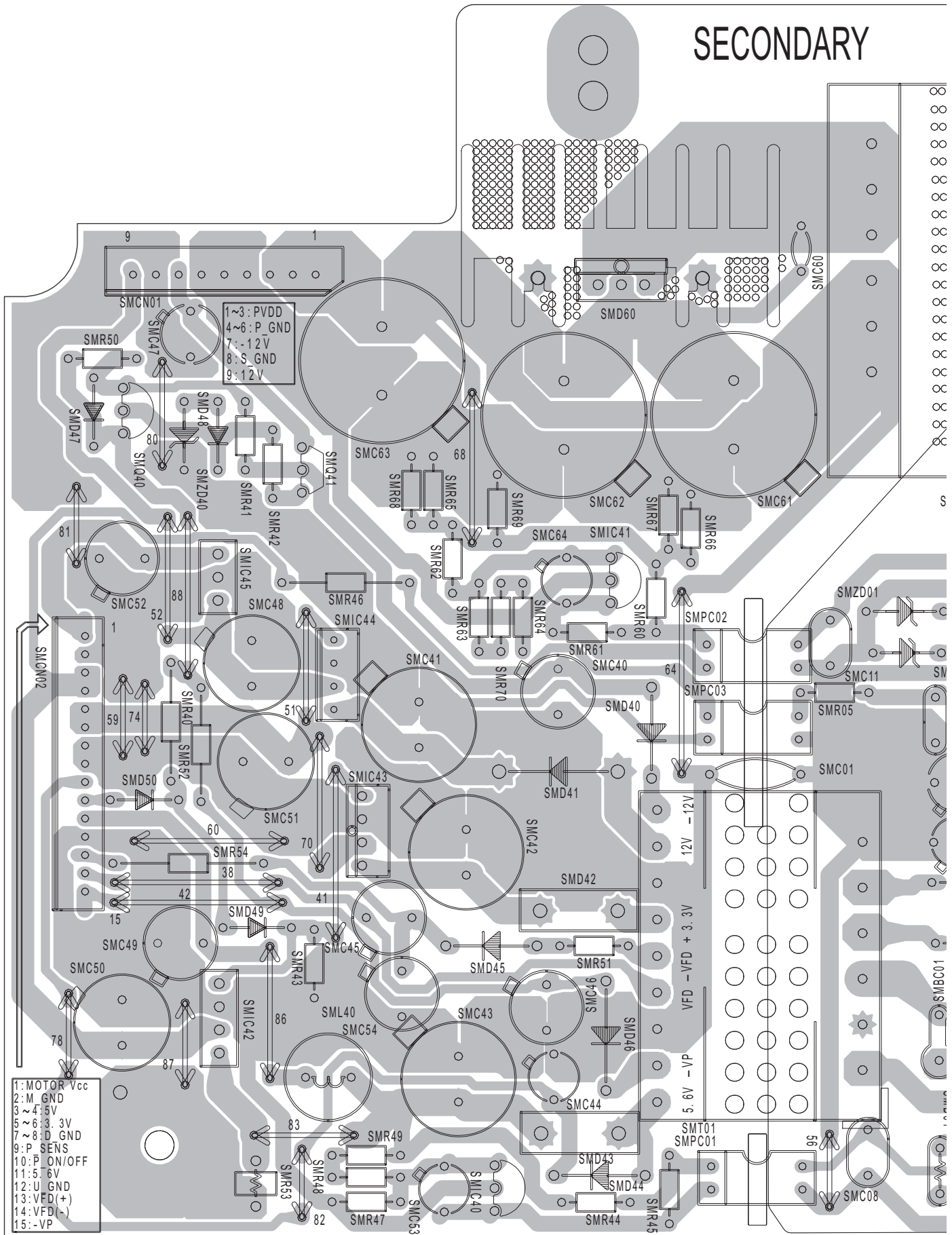


(LED3 board)

PbF
 REV:PP2
 AH41-00928A
 MX-C55 FRONT-PCB

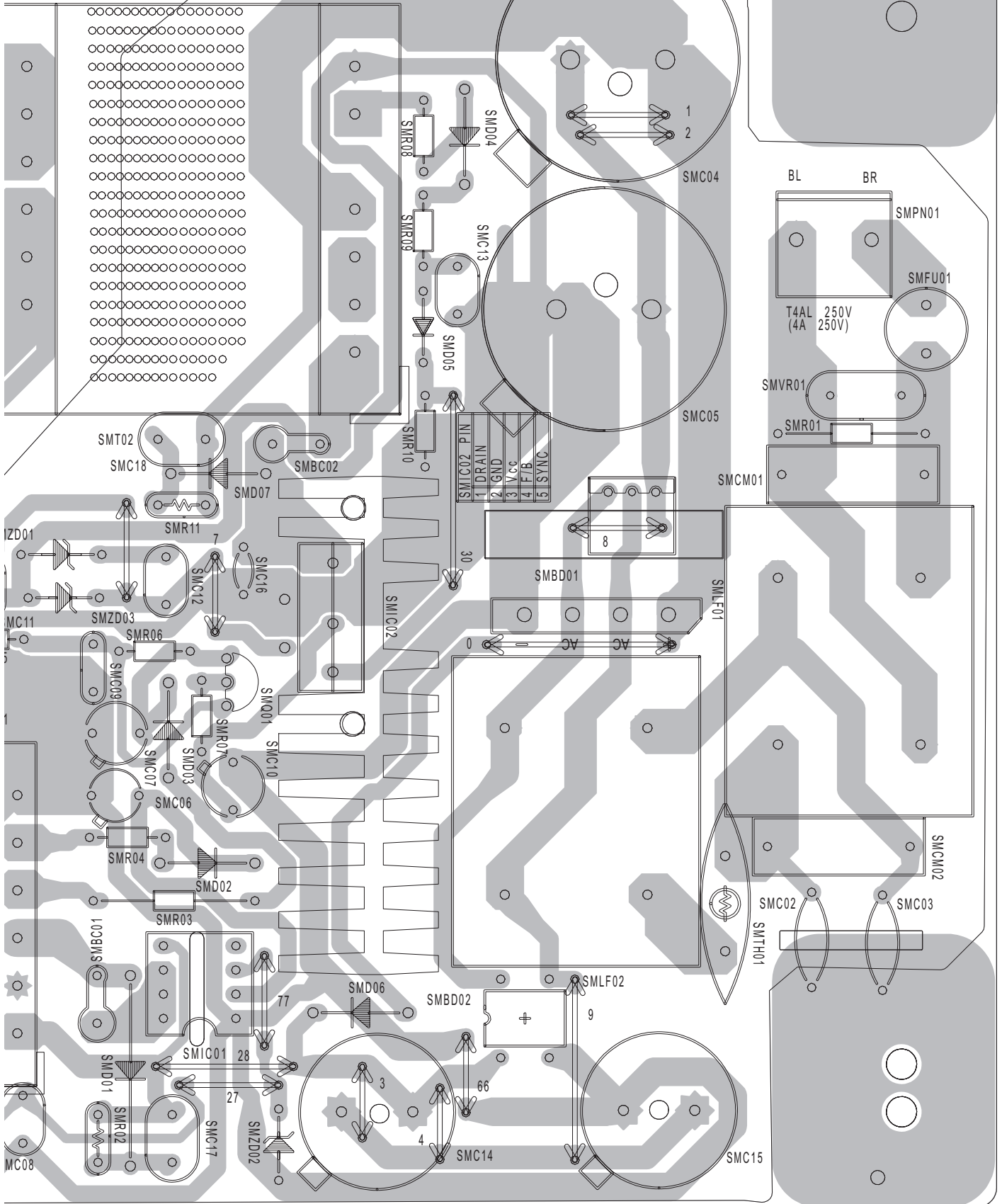
(USB board)

■ **SMPS board** Lead free solder used in the board (material : Sn-Ag-Cu, melting point : 219 Centigrade)



Y

PRIMARY



< MEMO >

JVC

Victor Company of Japan, Limited

Audio/Video Systems Category 10-1, 1chome, Ohwatari-machi, Maebashi-city, 371-8543, Japan

(No.MB508SCH)



Printed in Japan
VPT

PARTS LIST

MX-C55J, MX-C55C

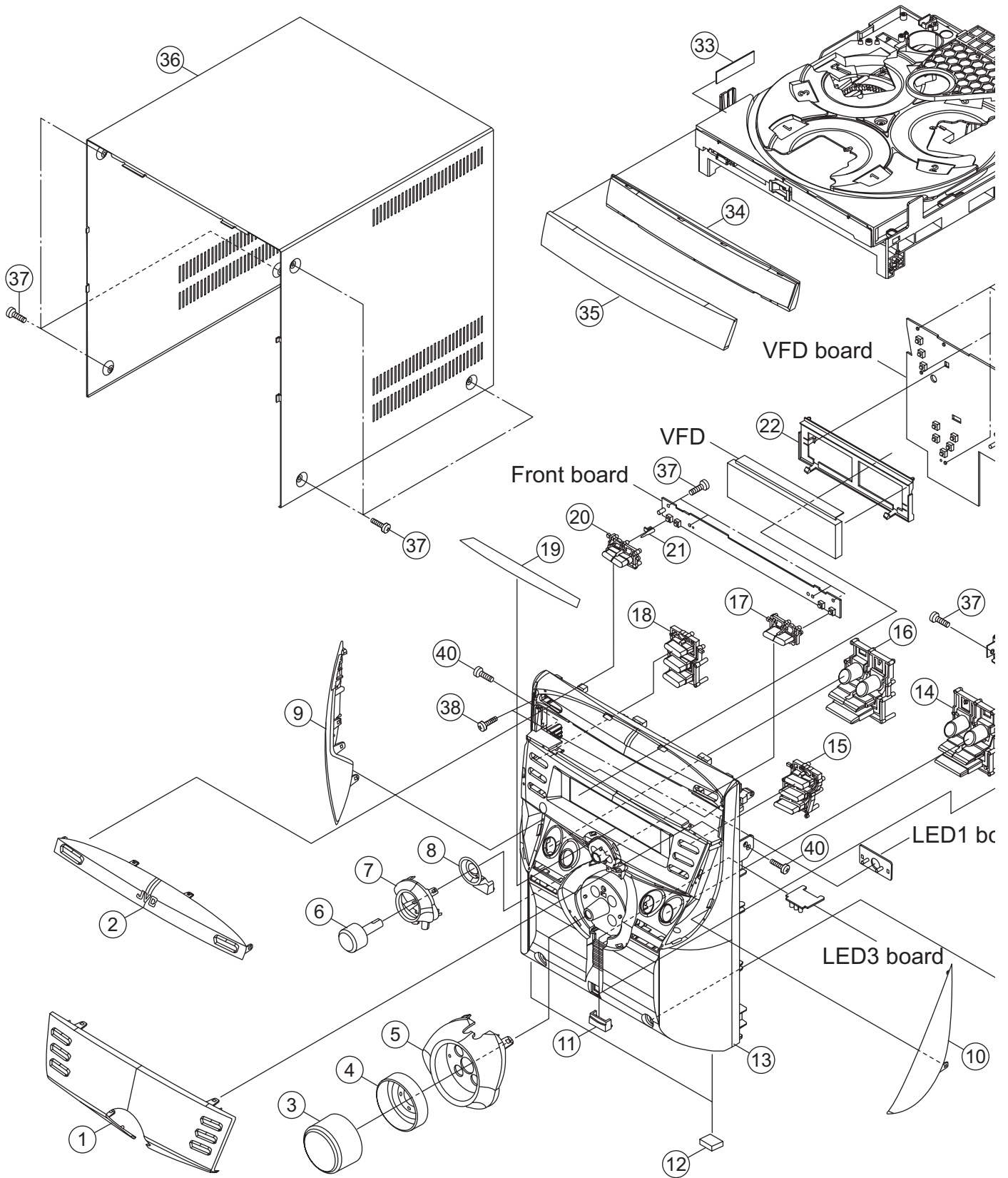
* All printed circuit boards and its assemblies are not available as service parts.

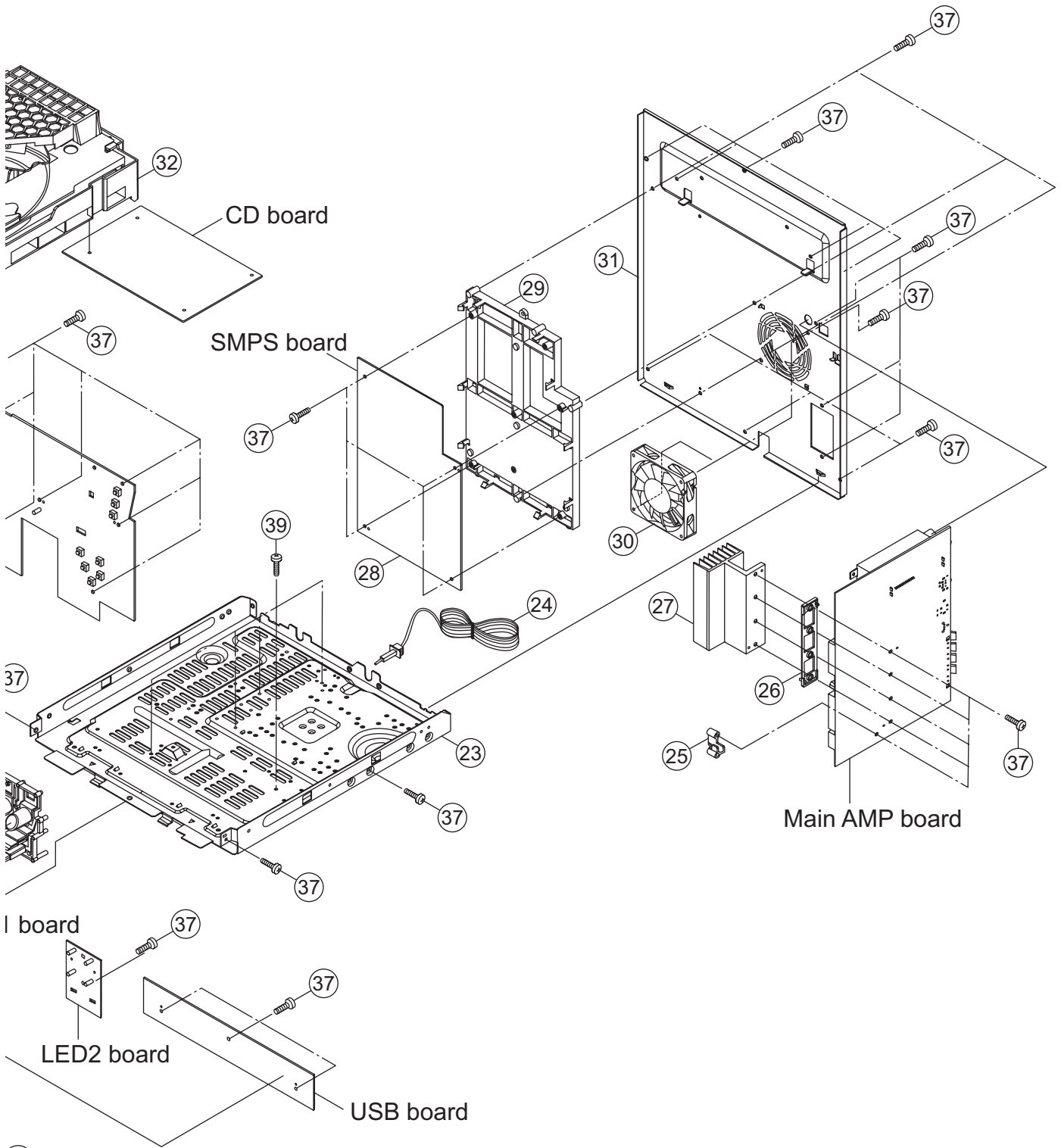
- Contents -

Exploded view of general assembly and parts list (Block No.M1)	3-2
Electrical parts list (Block No.01~04)	3-5
Packing materials and accessories parts list (Block No.M3)	3-12

Exploded view of general assembly and parts list

Block No. M 1 M M





10

General Assembly

Block No. [M][1][M][M]

△	Symbol No.	Part No.	Part Name	Description	Local
	1	AH64-03850B	VFD WINDOW	PMMA	
	2	AH64-03851B	CD WINDOW	PMMA	
	3	AH64-03848B	VOLUME KNOB	PMMA	
	4	AH67-00408A	VOLUME LENS		
	5	AH81-01982B	DECO VOLUME	ABS	
	6	AH64-03849B	PRESET KNOB	ABS	
	7	AH81-01996B	PRESET DECO	ABS	
	8	AH67-00413A	PRESET LENS	PMMA	
	9	AH67-00409B	CAP SIDE L	ABS	
	10	AH67-00410B	CAP SIDE R	ABS	
	11	AH67-00412A	USB LENS	PMMA	
	12	AH69-20031A	FOOT	(x2)	
	13	AH64-03840B	FRONT CABINET	ABS	
	14	AH64-03846B	DEMO KNOB	ABS	
	15	AH64-03844B	DISK KNOB	ABS	
	16	AH64-03847B	SOUND KNOB	ABS	
	17	AH64-03842B	CD KNOB	ABS	
	18	AH64-03845B	FUNCTION KNOB	ABS	
	19	AH63-01150A	MIRROR SHEET	PC	
	20	AH64-03843B	POWER KNOB	ABS	
	21	AH67-00411A	POWER LENS	PMMA	
	22	AH61-01831A	VFD HOLDER	ABS BLACK	
	23	AH64-02840A	BOTTOM CABINET		
△	24	AH39-00258U	POWER CORD		
	25	AH61-02134A	PCB BKT	ABS	
	26	AH61-02131A	IC HOLDER		
	27	AH62-00152B	HEATSINK		
	28	AH44-00124B	SMPS PCB ASSY		
	29	AH61-02130A	PCB HOLDER		
	30	AH31-00044A	FAN ASSY		
	31	AH64-03841B	REAR CABINET	SECC	C55J
	31	AH64-03841C	REAR CABINET	SECC	C55C
	32	AH59-01647A	CD MECHA ASSY	AH92-02451A	
	33	AH69-20342A	MOTOR CUSHION	ABS	
	34	AH64-03853B	CD DOOR	ABS	
	35	AH64-03852B	CD DOOR WINDOW	ABS	
	36	AH64-30390L	TOP CABINET		
	37	6003-000276	SCREW	M3X10 YEL(x49)	
	38	6003-001331	SCREW	(x2)	
	39	6003-001561	SCREW	BH 2S M3X6 YEL(x5)	
	40	6002-000126	SCREW	M3X10 BLACK(x2)	

Electrical parts list

Front board

Block No. [0][1]					Symbol No.	Part No.	Part Name	Description	Local
Symbol No.	Part No.	Part Name	Description	Local					
					FR01R	2001-000411	C RESISTOR	18KΩ 1/8W	
					FR100	2001-000995	C RESISTOR	820Ω 1/8W	
					FR101	2001-000429	C RESISTOR	1KΩ 1/8W	
					FR102	2001-000221	C RESISTOR	1.2KΩ 1/8W	
					FR103	2001-000241	C RESISTOR	1.5KΩ 1/8W	
					FR104	2001-000258	C RESISTOR	1.8KΩ 1/8W	
					FR105	2001-000449	C RESISTOR	2.2KΩ 1/8W	
					FR106	2001-000591	C RESISTOR	3.3KΩ 1/8W	
					FR107	2001-000734	C RESISTOR	4.7KΩ 1/8W	
					FR108	2001-000890	C RESISTOR	6.8KΩ 1/8W	
					FR111	2001-000734	C RESISTOR	4.7KΩ 1/8W	
					FR201	2001-000995	C RESISTOR	820Ω 1/8W	
					FR202	2001-000429	C RESISTOR	1KΩ 1/8W	
					FR203	2001-000221	C RESISTOR	1.2KΩ 1/8W	
					FR204	2001-000241	C RESISTOR	1.5KΩ 1/8W	
					FR205	2001-000258	C RESISTOR	1.8KΩ 1/8W	
					FR218	2001-000034	C RESISTOR	220Ω 1/4W	
					LD201	2001-000855	C RESISTOR	560Ω 1/4W	
					FR301	2001-000034	C RESISTOR	220Ω 1/4W	
					FR302	2001-000034	C RESISTOR	220Ω 1/4W	
					FR304	2001-000034	C RESISTOR	220Ω 1/4W	
					FR305	2001-000034	C RESISTOR	220Ω 1/4W	
					FR306	2001-000034	C RESISTOR	220Ω 1/4W	
					FR307	2001-000034	C RESISTOR	220Ω 1/4W	
					FR308	2001-000034	C RESISTOR	220Ω 1/4W	
					FR309	2001-000034	C RESISTOR	220Ω 1/4W	
					FR30L	2001-000411	C RESISTOR	18KΩ 1/8W	
					FR30R	2001-000411	C RESISTOR	18KΩ 1/8W	
					FR310	2001-000034	C RESISTOR	220Ω 1/4W	
					FR311	2001-000995	C RESISTOR	820Ω 1/8W	
					FR312	2001-000429	C RESISTOR	1KΩ 1/8W	
					FR313	2001-000221	C RESISTOR	1.2KΩ 1/8W	
					FR317	2001-000734	C RESISTOR	4.7KΩ 1/8W	
					FR318	2001-000734	C RESISTOR	4.7KΩ 1/8W	
					FR31L	2001-000734	C RESISTOR	4.7KΩ 1/8W	
					FR31R	2001-000734	C RESISTOR	4.7KΩ 1/8W	
					FR320	2001-000241	C RESISTOR	1.5KΩ 1/8W	
					FR321	2001-000527	C RESISTOR	22Ω 1/8W	
					FR322	2001-000527	C RESISTOR	22Ω 1/8W	
					FR323	2001-000435	C RESISTOR	1MΩ 1/8W	
					FR324	2001-000241	C RESISTOR	1.5KΩ 1/8W	
					FR325	2001-000295	C RESISTOR	10MΩ 1/8W	
					FR32L	2001-000415	C RESISTOR	18Ω 1/4W	
					FR32R	2001-000415	C RESISTOR	18Ω 1/4W	
					FR33L	2001-000290	C RESISTOR	10KΩ 1/8W	
					FR33R	2001-000290	C RESISTOR	10KΩ 1/8W	
					FR800	2001-000290	C RESISTOR	10KΩ 1/8W	
					FR800L	2001-000411	C RESISTOR	18KΩ 1/8W	
					FR800R	2001-000411	C RESISTOR	18KΩ 1/8W	
					UR101	2001-000290	C RESISTOR	10KΩ 1/8W	
					UR102	2001-000281	C RESISTOR	100Ω 1/8W	
					UR103	2001-000734	C RESISTOR	4.7KΩ 1/8W	
					UR104	2001-000734	C RESISTOR	4.7KΩ 1/8W	
					UR105	2001-000734	C RESISTOR	4.7KΩ 1/8W	
					UR106	2001-000734	C RESISTOR	4.7KΩ 1/8W	
					UR107	2001-000734	C RESISTOR	4.7KΩ 1/8W	
					UR108	2001-000734	C RESISTOR	4.7KΩ 1/8W	
					UR109	2001-000734	C RESISTOR	4.7KΩ 1/8W	
					UR110	2001-000734	C RESISTOR	4.7KΩ 1/8W	
					UR111	2001-000734	C RESISTOR	4.7KΩ 1/8W	
					UR112	2001-000734	C RESISTOR	4.7KΩ 1/8W	
					UR113	2001-000734	C RESISTOR	4.7KΩ 1/8W	
					UR114	2001-000734	C RESISTOR	4.7KΩ 1/8W	
					UR115	2001-000786	C RESISTOR	47KΩ 1/8W	
					UR116	2001-000786	C RESISTOR	47KΩ 1/8W	
					UR117	2001-000786	C RESISTOR	47KΩ 1/8W	
					UR118	2001-000786	C RESISTOR	47KΩ 1/8W	
					UR119	2001-000786	C RESISTOR	47KΩ 1/8W	
					UR120	2001-000786	C RESISTOR	47KΩ 1/8W	
					UR121	2001-000786	C RESISTOR	47KΩ 1/8W	
					UR122	2001-000786	C RESISTOR	47KΩ 1/8W	
					UR123	2001-000786	C RESISTOR	47KΩ 1/8W	
					UR124	2001-000786	C RESISTOR	47KΩ 1/8W	
					UR125	2001-000786	C RESISTOR	47KΩ 1/8W	
					UR126	2001-000786	C RESISTOR	47KΩ 1/8W	
					UR127	2001-000786	C RESISTOR	47KΩ 1/8W	
UIC01	0903-001273	IC	LC87F67C8A						
UIC02	1205-002635	IC	LC709004A						
UIC03	1205-002894	IC	PCM2704DBR						
FQ301	KTC8050	TRANSISTOR	0501-002375						
FQ302	KTC8050	TRANSISTOR	0501-002375						
FQ303	KTC8050	TRANSISTOR	0501-002375						
UQ101	KTC945B	TRANSISTOR	0501-002409						
FD201	1N4002	DIODE	0402-000127						
FD204	1N4002	DIODE	0402-000127						
FD205	1N4002	DIODE	0402-000127						
FD301	1N4002	DIODE	0402-000127						
LD201	0601-001739	LED	RED						
LD202	0601-001739	LED	RED						
LD301	0601-001739	LED	RED						
LD302	0601-001739	LED	RED						
LD304	0601-001739	LED	RED						
LD305	0601-001739	LED	RED						
LD306	0601-001739	LED	RED						
LD307	0601-001739	LED	RED						
LD308	0601-001739	LED	RED						
LD309	0601-001739	LED	RED						
LD310	0601-001490	LED	INVERTER BLUE						
UD03	1N4148	DIODE	0401-000005						
UD101	1N4148	DIODE	0401-000005						
UD102	1N4148	DIODE	0401-000005						
UD103	1N4002	DIODE	0402-000127						
UD104	1N4002	DIODE	0402-000127						
FC01L	2202-000806	C CAPACITOR	220pF 50V						
FC01R	2202-000806	C CAPACITOR	220pF 50V						
FC02L	2202-000216	C CAPACITOR	0.027NF 50V						
FC02R	2202-000216	C CAPACITOR	0.027NF 50V						
FC03L	2202-000806	C CAPACITOR	220pF 50V						
FC03R	2202-000806	C CAPACITOR	220pF 50V						
FC201	2201-000982	C CAPACITOR	10nF						
FC204	2201-000565	C CAPACITOR	47nF 50V						
FC301	2202-000121	C CAPACITOR	0.1nF 50V						
FC302	2202-000121	C CAPACITOR	0.1nF 50V						
FC303	2202-000849	C CAPACITOR	0.018nF 50V						
FC304	2202-000849	C CAPACITOR	0.018nF 50V						
FC305	2202-000173	C CAPACITOR	1nF 50V						
FC800	2202-000807	C CAPACITOR	22nF 25V						
FC800L	2202-000263	C CAPACITOR	470pF 50V						
FC800R	2202-000263	C CAPACITOR	470pF 50V						
FE200	2401-000240	E CAPACITOR	100uF 10V						
FE301	2401-000598	E CAPACITOR	1uF 50V						
FE302	2401-000598	E CAPACITOR	1uF 50V						
FE303	2401-000598	E CAPACITOR	1uF 50V						
FE304	2401-000414	E CAPACITOR	10uF 16V						
FE305	2401-000598	E CAPACITOR	1uF 50V						
FE306	2401-000598	E CAPACITOR	1uF 50V						
FE30L	2401-000303	E CAPACITOR	100uF 25V						
FE30R	2401-000303	E CAPACITOR	100uF 25V						
UC101	2201-000982	C CAPACITOR	10nF						
UC102	2201-000565	C CAPACITOR	47nF 50V						
UC103	2201-000389	C CAPACITOR	0.022nF						
UC104	2201-000389	C CAPACITOR	0.022nF						
UC105	2201-000565	C CAPACITOR	47nF 50V						
UC106	2201-000565	C CAPACITOR	47nF 50V						
UC107	2201-000021	C CAPACITOR	100nF 50V						
UC108	2201-000281	C CAPACITOR	1NF50V						
UE101	2401-000651	E CAPACITOR	2.2uF 50V						
UE102	2401-000759	E CAPACITOR	220nF 50V						
UE103	2401-000118	E CAPACITOR	1000uF 10V						
UE104	2401-000240	E CAPACITOR	100uF 10V						
UE1									

△ Symbol No.	Part No.	Part Name	Description	Local	△ Symbol No.	Part No.	Part Name	Description	Local
SD101	1SS355	DIODE	0401-001090		FC14L	2203-000206	CHIP CAPACITOR	100nF 50V	
SD102	1SS355	DIODE	0401-001090		FC14R	2203-000206	CHIP CAPACITOR	100nF 50V	
SZ102	RLZ5.6A	Z DIODE	0403-001008		FE101	2401-003850	E CAPACITOR	1000uF 50V	
SZ103	RLZ5.6A	Z DIODE	0403-001008		FL12R	2303-000312	M CAPACITOR	100nF 63V	
SZ104	RLZ7.5B	Z DIODE	0403-000622		HC006	2203-000206	CHIP CAPACITOR	100nF 50V	
SZ105	1N4739A	Z DIODE	0403-000145		HC01L	2203-000661	CHIP CAPACITOR	0.27nF 50V	
SZ106	UZP33B	Z DIODE	0403-000390		HC01R	2203-000661	CHIP CAPACITOR	0.27nF 50V	
					HC02L	2203-000595	CHIP CAPACITOR	0.22nF 50V	
AE101	2401-001508	E CAPACITOR	47uF 16V		HC02R	2203-000595	CHIP CAPACITOR	0.22nF 50V	
AE102	2401-000048	E CAPACITOR	47uF 25V		HC03L	2203-000595	CHIP CAPACITOR	0.22nF 50V	
CE101	2401-000243	E CAPACITOR	100uF 10V		HC03R	2203-000595	CHIP CAPACITOR	0.22nF 50V	
CE102	2401-000243	E CAPACITOR	100uF 10V		HC04L	2203-000239	CHIP CAPACITOR	0.1nF 50V	
EC01L	2203-000575	CHIP CAPACITOR	220nF 25V		HC04R	2203-000239	CHIP CAPACITOR	0.1nF 50V	
EC01R	2203-000575	CHIP CAPACITOR	220nF 25V		HC05L	2203-000595	CHIP CAPACITOR	0.22nF 50V	
EC02L	2203-000575	CHIP CAPACITOR	220nF 25V		HC05R	2203-000595	CHIP CAPACITOR	0.22nF 50V	
EC02R	2203-000575	CHIP CAPACITOR	220nF 25V		HE002	2401-001508	E CAPACITOR	47uF 16V	
EC03L	2203-001036	CHIP CAPACITOR	5.6nF 50V		HE01L	2401-000042	E CAPACITOR	100uF 16V	
EC03R	2203-001036	CHIP CAPACITOR	5.6nF 50V		HE01R	2401-000042	E CAPACITOR	100uF 16V	
EC101	2203-000206	CHIP CAPACITOR	100nF 50V		MC101	2203-000206	CHIP CAPACITOR	100nF 50V	
EC102	2203-000206	CHIP CAPACITOR	100nF 50V		MC102	2203-000206	CHIP CAPACITOR	100nF 50V	
EC103	2203-000206	CHIP CAPACITOR	100nF 50V		MC103	2203-000206	CHIP CAPACITOR	100nF 50V	
EC105	2203-000206	CHIP CAPACITOR	100nF 50V		MC104	2203-000634	CHIP CAPACITOR	0.022nF 50V	
EC106	2203-001596	CHIP CAPACITOR	2200nF 50V		MC105	2203-001524	CHIP CAPACITOR	0.047nF 50V	
EC107	2203-000206	CHIP CAPACITOR	100nF 50V		MC106	2203-000206	CHIP CAPACITOR	100nF 50V	
EE005	2401-000414	E CAPACITOR	10uF 16V		MC107	2203-000239	CHIP CAPACITOR	0.1nF 50V	
EE006	2401-000414	E CAPACITOR	10uF 16V		MC108	2203-000239	CHIP CAPACITOR	0.1nF 50V	
EE007	2401-002042	E CAPACITOR	220uF 10V		MC109	2203-000206	CHIP CAPACITOR	100nF 50V	
EE009	2401-001952	E CAPACITOR	4.7uF 50V		MC110	2203-000206	CHIP CAPACITOR	100nF 50V	
EE010	2401-001952	E CAPACITOR	4.7uF 50V		MC111	2203-000206	CHIP CAPACITOR	100nF 50V	
EE011	2401-001931	E CAPACITOR	220nF 50V		MC112	2203-000206	CHIP CAPACITOR	100nF 50V	
EE01L	2401-000650	E CAPACITOR	2.2uF 50V		MC113	2203-000206	CHIP CAPACITOR	100nF 50V	
EE01R	2401-000650	E CAPACITOR	2.2uF 50V		MC114	2203-000206	CHIP CAPACITOR	100nF 50V	
EE02L	2401-000598	E CAPACITOR	1uF 50V		MC115	2203-000206	CHIP CAPACITOR	100nF 50V	
EE02R	2401-000598	E CAPACITOR	1uF 50V		MC118	2203-000206	CHIP CAPACITOR	100nF 50V	
EE03L	2401-000598	E CAPACITOR	1uF 50V		ME101	2401-000918	E CAPACITOR	22uF 16V	
EE03R	2401-000598	E CAPACITOR	1uF 50V		ME102	2401-000651	E CAPACITOR	2.2uF 50V	
EE04L	2401-000598	E CAPACITOR	1uF 50V		SE102	2401-000970	E CAPACITOR	22uF 50V	
EE04R	2401-000598	E CAPACITOR	1uF 50V		SE103	2401-000804	E CAPACITOR	220uF 16V	
EE06L	2401-000588	E CAPACITOR	1uF 50V		TE101	2401-001508	E CAPACITOR	47uF 16V	
EE06R	2401-000588	E CAPACITOR	1uF 50V		WC01L	2203-000575	CHIP CAPACITOR	220nF 25V	
EE07L	2401-000598	E CAPACITOR	1uF 50V		WC01R	2203-000575	CHIP CAPACITOR	220nF 25V	
EE07R	2401-000598	E CAPACITOR	1uF 50V		WC02L	2203-000575	CHIP CAPACITOR	220nF 25V	
EE10L	2401-000414	E CAPACITOR	10uF 16V		WC02R	2203-000575	CHIP CAPACITOR	220nF 25V	
EE10R	2401-000414	E CAPACITOR	10uF 16V		WC03L	2203-000575	CHIP CAPACITOR	220nF 25V	
EE110	2401-001975	E CAPACITOR	47uF 16V		WC03R	2203-000575	CHIP CAPACITOR	220nF 25V	
EMC01	2203-000206	CHIP CAPACITOR	100nF 50V		WC04L	2203-000575	CHIP CAPACITOR	220nF 25V	
EMC02	2203-000206	CHIP CAPACITOR	100nF 50V		WC04R	2203-000575	CHIP CAPACITOR	220nF 25V	
FC010	2203-000206	CHIP CAPACITOR	100nF 50V		WC05L	2305-000412	M CAPACITOR	470nF	
FC011	2203-000206	CHIP CAPACITOR	100nF 50V		WC05R	2305-000412	M CAPACITOR	470nF	
FC012	2203-000206	CHIP CAPACITOR	100nF 50V		WC06L	2203-000206	CHIP CAPACITOR	100nF 50V	
FC013	2203-001596	CHIP CAPACITOR	2200nF 50V		WC06R	2203-000206	CHIP CAPACITOR	100nF 50V	
FC014	2203-000206	CHIP CAPACITOR	100nF 50V		WC07L	2203-000206	CHIP CAPACITOR	100nF 50V	
FC015	2203-000206	CHIP CAPACITOR	100nF 50V		WC07R	2203-000206	CHIP CAPACITOR	100nF 50V	
FC01L	2203-000787	CHIP CAPACITOR	0.33nF 50V		WC08L	2203-000260	CHIP CAPACITOR	10nF 50V	
FC01R	2203-000787	CHIP CAPACITOR	0.33nF 50V		WC08R	2203-000260	CHIP CAPACITOR	10nF 50V	
FC02L	2203-000206	CHIP CAPACITOR	100nF 50V		WC09L	2203-001596	CHIP CAPACITOR	2200nF 50V	
FC02R	2203-000206	CHIP CAPACITOR	100nF 50V		WC09R	2203-001596	CHIP CAPACITOR	2200nF 50V	
FC03L	2203-000206	CHIP CAPACITOR	100nF 50V		WC10L	2203-000206	CHIP CAPACITOR	100nF 50V	
FC03R	2203-000206	CHIP CAPACITOR	100nF 50V		WC10R	2203-001596	CHIP CAPACITOR	2200nF 50V	
FC04L	2203-000206	CHIP CAPACITOR	100nF 50V		WC11L	2203-001596	CHIP CAPACITOR	2200nF 50V	
FC04R	2203-000206	CHIP CAPACITOR	100nF 50V		WC11R	2203-001596	CHIP CAPACITOR	2200nF 50V	
FC05L	2203-000206	CHIP CAPACITOR	100nF 50V		WC12L	2203-001596	CHIP CAPACITOR	2200nF 50V	
FC05R	2203-000206	CHIP CAPACITOR	100nF 50V		WC12R	2203-001596	CHIP CAPACITOR	2200nF 50V	
FC06L	2305-000412	M CAPACITOR	470nF		WC13L	2203-001128	CHIP CAPACITOR	0.68nF 50V	
FC06R	2305-000412	M CAPACITOR	470nF		WC13R	2203-001128	CHIP CAPACITOR	0.68nF 50V	
FC07L	2203-000260	CHIP CAPACITOR	10nF 50V		WC14L	2203-001596	CHIP CAPACITOR	2200nF 50V	
FC07R	2203-000260	CHIP CAPACITOR	10nF 50V		WC14R	2203-000206	CHIP CAPACITOR	100nF 50V	
FC08L	2203-000260	CHIP CAPACITOR	10nF 50V		WC15L	2203-000206	CHIP CAPACITOR	100nF 50V	
FC08R	2203-000260	CHIP CAPACITOR	10nF 50V		WC15R	2203-000206	CHIP CAPACITOR	100nF 50V	
FC09L	2203-000260	CHIP CAPACITOR	10nF 50V		WC16L	2203-000206	CHIP CAPACITOR	100nF 50V	
FC09R	2203-000260	CHIP CAPACITOR	10nF 50V		WC16R	2203-000206	CHIP CAPACITOR	100nF 50V	
FC10L	2203-001596	CHIP CAPACITOR	2200nF 50V		WC17L	2203-001596	CHIP CAPACITOR	2200nF 50V	
FC10R	2203-001596	CHIP CAPACITOR	2200nF 50V		WC17R	2203-001596	CHIP CAPACITOR	2200nF 50V	
FC11L	2203-001596	CHIP CAPACITOR	2200nF 50V		WC18L	2203-000206	CHIP CAPACITOR	100nF 50V	
FC11R	2203-001596	CHIP CAPACITOR	2200nF 50V		WC18R	2203-000206	CHIP CAPACITOR	100nF 50V	
FC12L	2303-000312	M CAPACITOR	100nF 63V		WC19L	2203-000206	CHIP CAPACITOR	100nF 50V	
FC13L	2203-000787	CHIP CAPACITOR	0.33nF 50V		WC19R	2203-000206	CHIP CAPACITOR	100nF 50V	
FC13R	2203-000787	CHIP CAPACITOR	0.33nF 50V		WC20L	2305-000412	M CAPACITOR	470nF	

△ Symbol No.	Part No.	Part Name	Description	Local	△ Symbol No.	Part No.	Part Name	Description	Local
WC20R	2305-000412	M CAPACITOR	470nF		HR09R	2007-000300	CHIP RESISTOR	10KΩ	
WC21L	2203-001128	CHIP CAPACITOR	0.68nF 50V		HR10L	2007-000300	CHIP RESISTOR	10KΩ	
WC21R	2203-001128	CHIP CAPACITOR	0.68nF 50V		HR10R	2007-000300	CHIP RESISTOR	10KΩ	
WC22L	2203-001128	CHIP CAPACITOR	0.68nF 50V		HR11L	2007-000300	CHIP RESISTOR	10KΩ	
WC22R	2203-001128	CHIP CAPACITOR	0.68nF 50V		HR11R	2007-000300	CHIP RESISTOR	10KΩ	
WC23L	2203-001128	CHIP CAPACITOR	0.68nF 50V		HR12L	2007-000468	CHIP RESISTOR	1KΩ	
WC23R	2203-001128	CHIP CAPACITOR	0.68nF 50V		HR12R	2007-000468	CHIP RESISTOR	1KΩ	
WC24L	2203-000206	CHIP CAPACITOR	100nF 50V		MC116	2203-000126	CHIP RESISTOR	1.2nF 50V	
WC24R	2203-000206	CHIP CAPACITOR	100nF 50V		MC117	2203-000126	CHIP RESISTOR	1.2nF 50V	
WC25L	2203-000206	CHIP CAPACITOR	100nF 50V		MR001	2007-000947	CHIP RESISTOR	47Ω 1/8W	
WC25R	2203-000206	CHIP CAPACITOR	100nF 50V		MR002	2007-000468	CHIP RESISTOR	1KΩ	
WE01L	2401-003850	E CAPACITOR	1000uF 50V		MR101	2007-000300	CHIP RESISTOR	10KΩ	
WE01R	2401-003850	E CAPACITOR	1000uF 50V		MR102	2007-000290	CHIP RESISTOR	100Ω	
XC101	2203-000634	CHIP CAPACITOR	0.022nF 50V		MR103	2007-000947	CHIP RESISTOR	47Ω 1/8W	
XC102	2203-000634	CHIP CAPACITOR	0.022nF 50V		MR104	2007-000947	CHIP RESISTOR	47Ω 1/8W	
XC103	2203-000206	CHIP CAPACITOR	100nF 50V		MR105	2007-000290	CHIP RESISTOR	100Ω	
XE101	2401-000414	E CAPACITOR	10uF 16V		MR106	2007-000290	CHIP RESISTOR	100Ω	
					MR107	2007-000300	CHIP RESISTOR	10KΩ	
AR101	2007-000300	CHIP RESISTOR	10KΩ		MR108	2007-000300	CHIP RESISTOR	10KΩ	
AR102	2007-000493	CHIP RESISTOR	2.2KΩ		MR110	2007-000766	CHIP RESISTOR	330Ω	
AR103	2007-000586	CHIP RESISTOR	22KΩ		MR111	2007-000686	CHIP RESISTOR	3.3KΩ	
AR104	2007-001168	CHIP RESISTOR	75Ω 1/4W		MR112	2007-000300	CHIP RESISTOR	10KΩ	
AR105	2007-000598	CHIP RESISTOR	22Ω 1/4W		SR001	2007-000518	CHIP RESISTOR	2.7KΩ	
CR101	2007-001039	CHIP RESISTOR	56KΩ		SR002	2007-000300	CHIP RESISTOR	10KΩ	
CR102	2007-001039	CHIP RESISTOR	56KΩ		SR003	2007-000030	CHIP RESISTOR	560Ω 1/8W	
CR103	2007-000457	CHIP RESISTOR	18KΩ		SR004	2007-000300	CHIP RESISTOR	10KΩ	
CR104	2007-000457	CHIP RESISTOR	18KΩ		SR005	2007-000653	CHIP RESISTOR	27KΩ	
CR105	2007-000468	CHIP RESISTOR	1KΩ		SR103	2007-001216	CHIP RESISTOR	82Ω	
EC104	2203-000126	CHIP RESISTOR	1.2nF 50V		SR104	2007-000778	CHIP RESISTOR	330KΩ 1/10W	
ER01L	2007-000686	CHIP RESISTOR	3.3KΩ		SR105	2007-000778	CHIP RESISTOR	330KΩ 1/10W	
ER01R	2007-000686	CHIP RESISTOR	3.3KΩ		SR106	2007-000586	CHIP RESISTOR	22KΩ	
ER02L	2007-000572	CHIP RESISTOR	220Ω		TR01L	2007-000457	CHIP RESISTOR	18KΩ	
ER02R	2007-000572	CHIP RESISTOR	220Ω		TR01R	2007-000457	CHIP RESISTOR	18KΩ	
ER03L	2007-000941	CHIP RESISTOR	47KΩ		TR02L	2007-000300	CHIP RESISTOR	10KΩ	
ER03R	2007-000941	CHIP RESISTOR	47KΩ		TR02R	2007-000300	CHIP RESISTOR	10KΩ	
ER08L	2007-000468	CHIP RESISTOR	1KΩ		WR01L	2007-000312	CHIP RESISTOR	10Ω 1/4W	
ER08R	2007-000468	CHIP RESISTOR	1KΩ		WR01R	2007-000312	CHIP RESISTOR	10Ω 1/4W	
ER101	2007-000395	CHIP RESISTOR	150KΩ 1/10W		WR02L	2007-001074	CHIP RESISTOR	6.8Ω 1/8W	
ER102	2007-000395	CHIP RESISTOR	150KΩ 1/10W		WR02R	2007-001074	CHIP RESISTOR	6.8Ω 1/8W	
ER103	2007-000947	CHIP RESISTOR	47Ω 1/8W		WR03L	2007-001074	CHIP RESISTOR	6.8Ω 1/8W	
ER104	2007-000947	CHIP RESISTOR	47Ω 1/8W		WR03R	2007-001074	CHIP RESISTOR	6.8Ω 1/8W	
ER105	2007-000950	CHIP RESISTOR	47Ω 1/4W		WR04L	2007-001074	CHIP RESISTOR	6.8Ω 1/8W	
ER106	2007-000766	CHIP RESISTOR	330Ω		WR04R	2007-001074	CHIP RESISTOR	6.8Ω 1/8W	
ER108	2007-000068	CHIP RESISTOR	470KΩ 1/8W		WR05L	2007-001074	CHIP RESISTOR	6.8Ω 1/8W	
ER109	2007-000023	CHIP RESISTOR	120Ω 1/10W		WR05R	2007-001074	CHIP RESISTOR	6.8Ω 1/8W	
ER110	2007-000300	CHIP RESISTOR	10KΩ		WR07L	2007-000300	CHIP RESISTOR	10KΩ	
ER111	2007-000778	CHIP RESISTOR	330KΩ 1/10W		WR07R	2007-000300	CHIP RESISTOR	10KΩ	
ER112	2007-001195	CHIP RESISTOR	820KΩ		WR08L	2007-000312	CHIP RESISTOR	10Ω 1/4W	
FR004	2007-000300	CHIP RESISTOR	10KΩ		WR08R	2007-000312	CHIP RESISTOR	10Ω 1/4W	
FR005	2007-000468	CHIP RESISTOR	1KΩ		WR09L	2007-000312	CHIP RESISTOR	10Ω 1/4W	
FR01L	2007-000598	CHIP RESISTOR	22Ω 1/4W		WR09R	2007-000312	CHIP RESISTOR	10Ω 1/4W	
FR01R	2007-000598	CHIP RESISTOR	22Ω 1/4W		WR10L	2007-000312	CHIP RESISTOR	10Ω 1/4W	
FR02L	2007-000883	CHIP RESISTOR	4.7Ω 1/4W		WR10R	2007-000312	CHIP RESISTOR	10Ω 1/4W	
FR02R	2007-000883	CHIP RESISTOR	4.7Ω 1/4W		XR101	2007-000477	CHIP RESISTOR	1MΩ	
FR03L	2007-000883	CHIP RESISTOR	4.7Ω 1/4W		XR102	2007-000931	CHIP RESISTOR	470Ω	
FR03R	2007-000883	CHIP RESISTOR	4.7Ω 1/4W						
FR04L	2007-000598	CHIP RESISTOR	22Ω 1/4W		FL01L	AH27-00061A	COIL FILTER	45mΩ	
FR04R	2007-000598	CHIP RESISTOR	22Ω 1/4W		FL01R	AH27-00061A	COIL FILTER	45mΩ	
HR001	2007-000950	CHIP RESISTOR	47Ω 1/4W		FL02L	AH27-00061A	COIL FILTER	45mΩ	
HR013	2007-000941	CHIP RESISTOR	47KΩ		FL02R	AH27-00061A	COIL FILTER	45mΩ	
HR014	2007-000300	CHIP RESISTOR	10KΩ		WL01L	AH27-00062A	COIL FILTER	45mΩ	
HR01L	2007-000872	CHIP RESISTOR	4.7KΩ		WL01R	AH27-00062A	COIL FILTER	45mΩ	
HR01R	2007-000872	CHIP RESISTOR	4.7KΩ		WL02L	AH27-00062A	COIL FILTER	45mΩ	
HR02L	2007-000872	CHIP RESISTOR	4.7KΩ		WL02R	AH27-00062A	COIL FILTER	45mΩ	
HR02R	2007-000872	CHIP RESISTOR	4.7KΩ		WL03L	AH27-00062A	COIL FILTER	45mΩ	
HR03L	2007-000872	CHIP RESISTOR	4.7KΩ		WL03R	AH27-00062A	COIL FILTER	45mΩ	
HR03R	2007-000872	CHIP RESISTOR	4.7KΩ		WL04L	AH27-00062A	COIL FILTER	45mΩ	
HR04L	2007-000872	CHIP RESISTOR	4.7KΩ		WL04R	AH27-00062A	COIL FILTER	45mΩ	
HR04R	2007-000872	CHIP RESISTOR	4.7KΩ						
HR05L	2007-000872	CHIP RESISTOR	4.7KΩ		CN101	3708-001696	CONNECTOR	24P	
HR05R	2007-000872	CHIP RESISTOR	4.7KΩ		CN102	3711-000724	CONNECTOR	15P	
HR06L	2007-000872	CHIP RESISTOR	4.7KΩ		CN103	3711-002809	CONNECTOR		
HR06R	2007-000872	CHIP RESISTOR	4.7KΩ		CN105	3711-002809	CONNECTOR	BOX 8P 1R 2mm	
HR07L	2007-000872	CHIP RESISTOR	4.7KΩ		CN106	AH39-00904A	CONNECT WIRE	9P for AMP CN106	
HR07R	2007-000872	CHIP RESISTOR	4.7KΩ					to SMPS SMCN01	
HR08L	2007-000308	CHIP RESISTOR	10Ω					15P for AMP	
HR08R	2007-000308	CHIP RESISTOR	10Ω		CN107	AH39-00903A	CONNECT WIRE	CN107 to SMPS	
HR09L	2007-000300	CHIP RESISTOR	10KΩ		CN108	3711-000820	CONNECTOR	SMCN02	
								2P 1R 2.5mm	

△ Symbol No.	Part No.	Part Name	Description	Local	△ Symbol No.	Part No.	Part Name	Description	Local
EL101	3301-001345	FERRITE BEADS	600 Ω 300mA		C134	2401-002042	E CAPACITOR	220uF 10V	
EL102	3301-001345	FERRITE BEADS	600 Ω 300mA		C135	2401-002042	E CAPACITOR	220uF 10V	
FIC02	1201-002414	IC	STA508		C140	2203-000239	CHIP CAPACITOR	0.1nF 50V	
FL003	3301-001345	FERRITE BEADS	600 Ω 300mA		C141	2203-000239	CHIP CAPACITOR	0.1nF 50V	
FL03L	AH29-00014A	LINE FILTER	PLF1109-002		C142	2203-000239	CHIP CAPACITOR	0.1nF 50V	
FL03R	AH29-00014A	LINE FILTER	PLF1109-002		C143	2203-000260	CHIP CAPACITOR	10nF 50V	
HL01L	3301-001345	FERRITE BEADS	600 Ω 300mA		C201	2203-001537	CHIP CAPACITOR	1nF 50V	
HL01R	3301-001345	FERRITE BEADS	600 Ω 300mA		C202	2203-000206	CHIP CAPACITOR	100nF 50V	
ML101	3301-001345	FERRITE BEADS	600 Ω 300mA		C203	2401-000480	E CAPACITOR	10uF 50V	
ML102	3301-001345	FERRITE BEADS	600 Ω 300mA		C204	2203-001537	CHIP CAPACITOR	1nF 50V	
ML103	3301-001345	FERRITE BEADS	600 Ω 300mA		C205	2203-001537	CHIP CAPACITOR	1nF 50V	
ML104	3301-001345	FERRITE BEADS	600 Ω 300mA		C207	2401-000240	E CAPACITOR	100uF 10V	
SCREW	6003-000276	SCREW	M3X10 YEL		C208	2203-000206	CHIP CAPACITOR	100nF 50V	
SP101	3716-001208	TERMINAL BLOCK	8P		C210	2401-000240	E CAPACITOR	100uF 10V	
TU101	AH40-00123A	TUNER			C211	2203-000206	CHIP CAPACITOR	100nF 50V	
WIC01	1201-002414	IC	STA508		C214	2203-000206	CHIP CAPACITOR	100nF 50V	
WL05L	3301-001345	FERRITE BEADS	600 Ω 300mA		C215	2203-000206	CHIP CAPACITOR	100nF 50V	
WL05R	3301-001345	FERRITE BEADS	600 Ω 300mA		C216	2203-000206	CHIP CAPACITOR	100nF 50V	
XT101	2801-004354	CRYSTAL	12.288MHZ		C218	2203-000206	CHIP CAPACITOR	100nF 50V	
XXXXX	AH38-00013A	WIRE	250MM		C219	2401-000240	E CAPACITOR	100uF 10V	
					C220	2203-000206	CHIP CAPACITOR	100nF 50V	
					C221	2401-000240	E CAPACITOR	100uF 10V	
					C222	2203-000683	CHIP CAPACITOR	0.027nF 50V	
					C223	2203-000683	CHIP CAPACITOR	0.027nF 50V	
					C224	2203-000206	CHIP CAPACITOR	100nF 50V	
					C226	2203-000203	CHIP CAPACITOR	100nF 16V	
					C227	2203-000203	CHIP CAPACITOR	100nF 16V	
					C230	2203-000239	CHIP CAPACITOR	0.1nF 50V	
					C231	2203-000239	CHIP CAPACITOR	0.1nF 50V	
					C232	2203-000239	CHIP CAPACITOR	0.1nF 50V	
					C233	2203-000239	CHIP CAPACITOR	0.1nF 50V	
					C302	2401-001102	E CAPACITOR	330uF 16V	
					C303	2401-000240	E CAPACITOR	100uF 10V	
					C304	2401-000240	E CAPACITOR	100uF 10V	
					C401	2203-000206	CHIP CAPACITOR	100nF 50V	
					C406	2203-000206	CHIP CAPACITOR	100nF 50V	
					C407	2202-002037	CHIP CAPACITOR	100nF 50V	
					C501	2203-000206	CHIP CAPACITOR	100nF 50V	
					C502	2203-000206	CHIP CAPACITOR	100nF 50V	
					C503	2401-000240	E CAPACITOR	100uF 10V	
					C206R	2401-000027	E CAPACITOR	4.7uF 50V	
					C209R	2203-000495	CHIP CAPACITOR	2.2nF 50V	
					C212L	2401-000027	E CAPACITOR	4.7uF 50V	
					C213L	2203-000495	CHIP CAPACITOR	2.2nF 50V	

CD board

Block No. [0][3]

△ Symbol No.	Part No.	Part Name	Description	Local	△ Symbol No.	Part No.	Part Name	Description	Local
IC101	1204-001799	IC	KB9226		J1	2007-000033	CHIP RESISTOR	0Ω	
IC201	0904-002080	IC	S5L8310X DSP		J2	2007-000033	CHIP RESISTOR	0Ω	
IC301	1003-000179	IC	KA9258D		J3	2007-000033	CHIP RESISTOR	0Ω	
IC401	1003-001418	IC	FAN8082		J4	2007-000029	CHIP RESISTOR	0Ω	
IC501	1105-001261	IC	12L1616A		J5	2007-000033	CHIP RESISTOR	0Ω	
					J6	2007-000029	CHIP RESISTOR	0Ω	
					J7	2007-000029	CHIP RESISTOR	0Ω	
					J8	2007-000033	CHIP RESISTOR	0Ω	
					J9	2007-000029	CHIP RESISTOR	0Ω	
					J10	2007-000033	CHIP RESISTOR	0Ω	
					J11	2007-000033	CHIP RESISTOR	0Ω	
					J12	2007-000029	CHIP RESISTOR	0Ω	
					J13	2007-000029	CHIP RESISTOR	0Ω	
					J14	2007-000029	CHIP RESISTOR	0Ω	
					J15	2007-000029	CHIP RESISTOR	0Ω	
					J16	2007-000029	CHIP RESISTOR	0Ω	
					J17	2007-000029	CHIP RESISTOR	0Ω	
					J18	2007-000029	CHIP RESISTOR	0Ω	
					J19	2007-000033	CHIP RESISTOR	0Ω	
					J20	2007-000033	CHIP RESISTOR	0Ω	
					J21	2007-000029	CHIP RESISTOR	0Ω	
					J22	2007-000033	CHIP RESISTOR	0Ω	
					R101	2007-000457	CHIP RESISTOR	18KΩ	
					R102	2007-000444	CHIP RESISTOR	180KΩ	
					R103	2007-000001	CHIP RESISTOR	120Ω	
					R104	2007-000468	CHIP RESISTOR	1KΩ	
					R105	2007-000477	CHIP RESISTOR	1MΩ	
					R106	2007-001177	CHIP RESISTOR	8.2KΩ	
					R107	2007-000546	CHIP RESISTOR	20KΩ	
					R108	2001-000331	C RESISTOR	12KΩ 1/8W	
					R109	2007-000300	CHIP RESISTOR	10KΩ	
					R110	2007-000300	CHIP RESISTOR	10KΩ	
					R111	2007-001208	CHIP RESISTOR	82KΩ	
C101	2203-001026	CHIP CAPACITOR	0.004nF 50V						
C103	2203-000892	CHIP CAPACITOR	4.7nF 50V						
C104	2203-000892	CHIP CAPACITOR	4.7nF 50V						
C105	2401-002042	E CAPACITOR	220uF 10V						
C107	2401-001625	E CAPACITOR	6.8uF 50V						
C109	2203-000206	CHIP CAPACITOR	100nF 50V						
C110	2203-000206	CHIP CAPACITOR	100nF 50V						
C111	2203-001537	CHIP CAPACITOR	1nF 50V						
C112	2203-000206	CHIP CAPACITOR	100nF 50V						
C113	2203-000802	CHIP CAPACITOR	33nF 50V						
C114	2404-000148	C CAPACITOR	1uF						
C115	2203-000260	CHIP CAPACITOR	10nF 50V						
C116	2203-000919	CHIP CAPACITOR	470nF						
C117	2203-000260	CHIP CAPACITOR	10nF 50V						
C118	2401-000480	E CAPACITOR	10uF 50V						
C119	2203-001137	CHIP CAPACITOR	68nF 50V						
C120	2203-000206	CHIP CAPACITOR	100nF 50V						
C121	2203-001064	CHIP CAPACITOR	56nF 50V						
C122	2203-000840	CHIP CAPACITOR	0.39nF 50V						
C123	2203-000495	CHIP CAPACITOR	2.2nF 50V						
C124	2203-000595	CHIP CAPACITOR	0.22nF 50V						
C125	2203-000206	CHIP CAPACITOR	100nF 50V						
C126	2203-000206	CHIP CAPACITOR	100nF 50V						
C127	2203-000802	CHIP CAPACITOR	33nF 50V						
C128	2401-002042	E CAPACITOR	220uF 10V						
C129	2203-001537	CHIP CAPACITOR	1nF 50V						
C130	2203-000260	CHIP CAPACITOR	10nF 50V						
C131	2203-001551	CHIP CAPACITOR	1.5nF 50V						
C132	2203-000609	CHIP CAPACITOR	22nF 50V						
C133	2203-001137	CHIP CAPACITOR	68nF 50V						

Symbol No.	Part No.	Part Name	Description	Local
R112	2007-001039	CHIP RESISTOR	56KΩ	
R113	2007-000409	CHIP RESISTOR	15KΩ	
R114	2007-000941	CHIP RESISTOR	47KΩ	
R115	2007-000338	CHIP RESISTOR	120KΩ	
R116	2007-000338	CHIP RESISTOR	120KΩ	
R117	2007-001039	CHIP RESISTOR	56KΩ	
R118	2007-001208	CHIP RESISTOR	82KΩ	
R119	2007-000653	CHIP RESISTOR	27KΩ	
R120	2007-000941	CHIP RESISTOR	47KΩ	
R121	2007-000308	CHIP RESISTOR	10Ω	
R122	2001-001000	C RESISTOR	82KΩ 1/8W	
R123	2007-001039	CHIP RESISTOR	56KΩ	
R124	2007-001039	CHIP RESISTOR	56KΩ	
R125	2007-001039	CHIP RESISTOR	56KΩ	
R126	2007-001039	CHIP RESISTOR	56KΩ	
R127	2007-001208	CHIP RESISTOR	82KΩ	
R128	2007-001216	CHIP RESISTOR	82Ω	
R129	2007-001195	CHIP RESISTOR	820KΩ	
R209	2007-000477	CHIP RESISTOR	1MΩ	
R210	2001-000734	C RESISTOR	4.7KΩ 1/8W	
R211	2007-000300	CHIP RESISTOR	10KΩ	
R213	2007-000572	CHIP RESISTOR	220Ω	
R216	2007-000931	CHIP RESISTOR	470Ω	
R217	2007-000931	CHIP RESISTOR	470Ω	
R302	2007-001216	CHIP RESISTOR	82Ω	
R303	2007-001216	CHIP RESISTOR	82Ω	
R406	2007-000931	CHIP RESISTOR	470Ω	
R407	2007-000931	CHIP RESISTOR	470Ω	
R408	2007-000931	CHIP RESISTOR	470Ω	
R409	2007-000941	CHIP RESISTOR	47KΩ	
R411	2007-000872	CHIP RESISTOR	4.7KΩ	
R412	2007-000872	CHIP RESISTOR	4.7KΩ	
R420	2007-000468	CHIP RESISTOR	1KΩ	
R421	2007-000931	CHIP RESISTOR	470Ω	
R422	2001-000780	C RESISTOR	470KΩ 1/8W	
R423	2001-000780	C RESISTOR	470KΩ 1/8W	
R425	2007-000931	CHIP RESISTOR	470Ω	
R426	2007-000931	CHIP RESISTOR	470Ω	
R427	2007-000931	CHIP RESISTOR	470Ω	
R428	2001-000780	C RESISTOR	470KΩ 1/8W	
R429	2007-000468	CHIP RESISTOR	1KΩ	
R430	2007-000941	CHIP RESISTOR	47KΩ	
R431	2007-000941	CHIP RESISTOR	47KΩ	
R432	2007-000941	CHIP RESISTOR	47KΩ	
R433	2007-000941	CHIP RESISTOR	47KΩ	
R201R	2007-000290	CHIP RESISTOR	100Ω	
R202R	2007-000282	CHIP RESISTOR	100KΩ	
R203L	2007-000282	CHIP RESISTOR	100KΩ	
R204L	2007-000290	CHIP RESISTOR	100Ω	
CW101	3708-001252	CONNECTOR	16P 1mm	
CW102	3711-000494	CONNECTOR	6P	
CW105	3708-001438	CONNECTOR	22P 1.25mm	
CW106	AH39-00345A	WIRE HARNESS	8P for CD to AMP CN103	
CW107	3711-000906	CONNECTOR	3P 1R 2mm	
CW102 A	AH39-00794A	CONNECT WIRE	6P DVD-K170	
XT201	2802-000211	C RESONATOR	16.93MHz	

Wiring

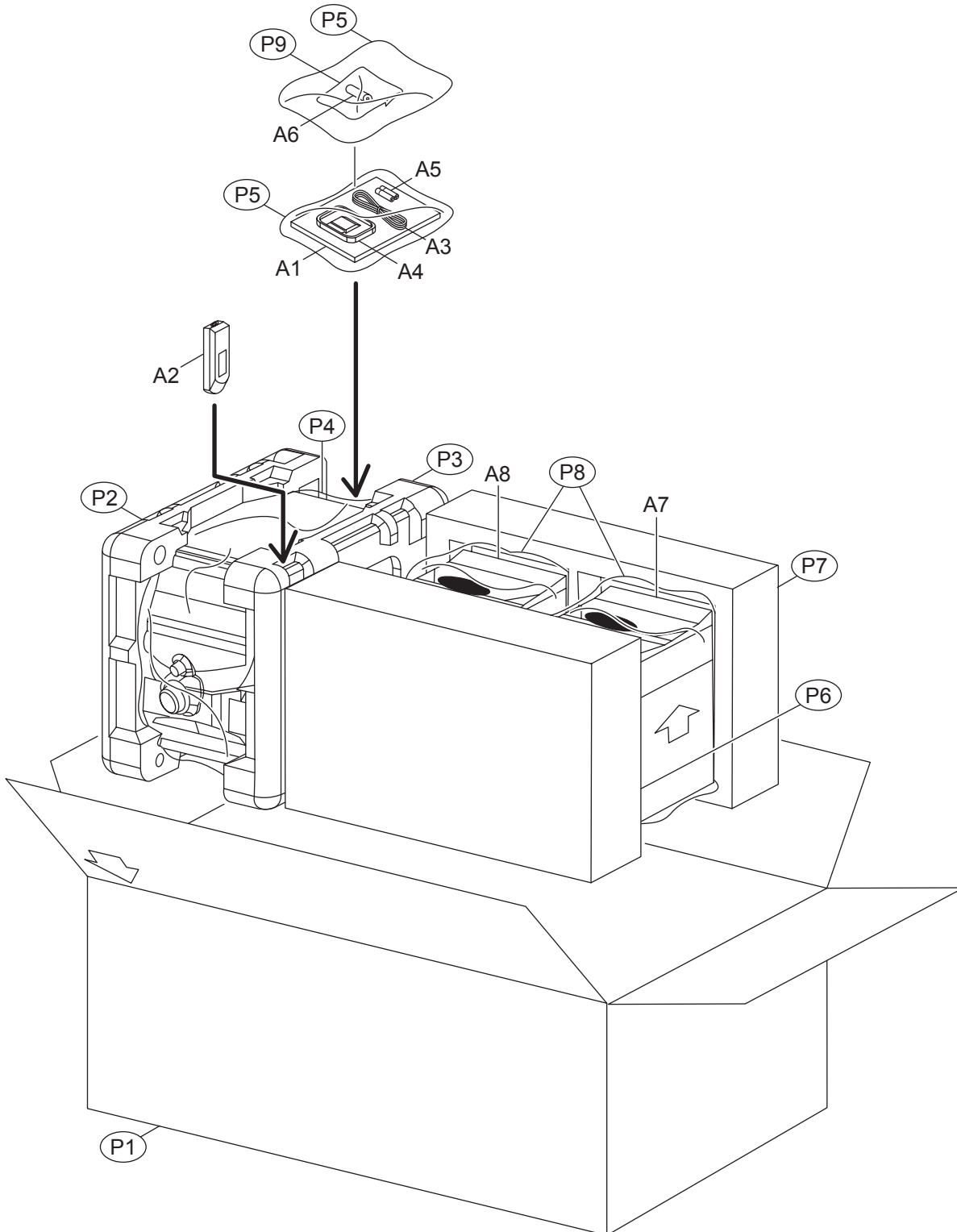
Block No. [0][4]

Symbol No.	Part No.	Part Name	Description	Local
XXXXX	3301-000132	FERRITE BEADS	(x4)	
XXXXX	3809-001346	FLAT CABLE	24P for AMP CN101 to VFD FW101	

<MEMO>

Packing materials and accessories parts list

Block No. M 3 M M



Packing and Accessories

Block No. [M][3][M][M]

△ Symbol No.	Part No.	Part Name	Description	Local
A 1	AH68-01856A	INST BOOK	ENG LVT1541-001A	C55J
A 1	AH68-01856B	INST BOOK	ENG FRE LVT1541-002A	C55C
A 2	AH59-01163K	REMOCON		
A 3	AH39-00320C	FM WIRE		
A 4	AH42-00023A	AM LOOP ANT		
A 5	-----	BATTERY	(x2)	
A 6	AH65-00007A	FERRITE CORE		
A 7	AH81-01978A	SPEAKER L	LEFT	
A 8	AH81-01978B	SPEAKER R	RIGHT	
P 1	AH69-01649A	CARTON	for MX-C55J	C55J
P 1	AH69-01649B	CARTON	for MX-C55C	C55C
P 2	AH69-01647A	CUSHION L	for SET	
P 3	AH69-01648A	CUSHION R	for SET	
P 4	6902-000068	POLY BAG		
P 5	6902-000385	POLY BAG	(x2)	
P 6	AH81-01978V	TOP CUSHION	for SPEAKER	
P 7	AH81-01978W	BOTTOM CUSHION	for SPEAKER	
P 8	AH81-02265A	POLY BAG	for SPEAKER(x2)	
P 9	6902-000287	POLY BAG	for FERRIRE CORE	